

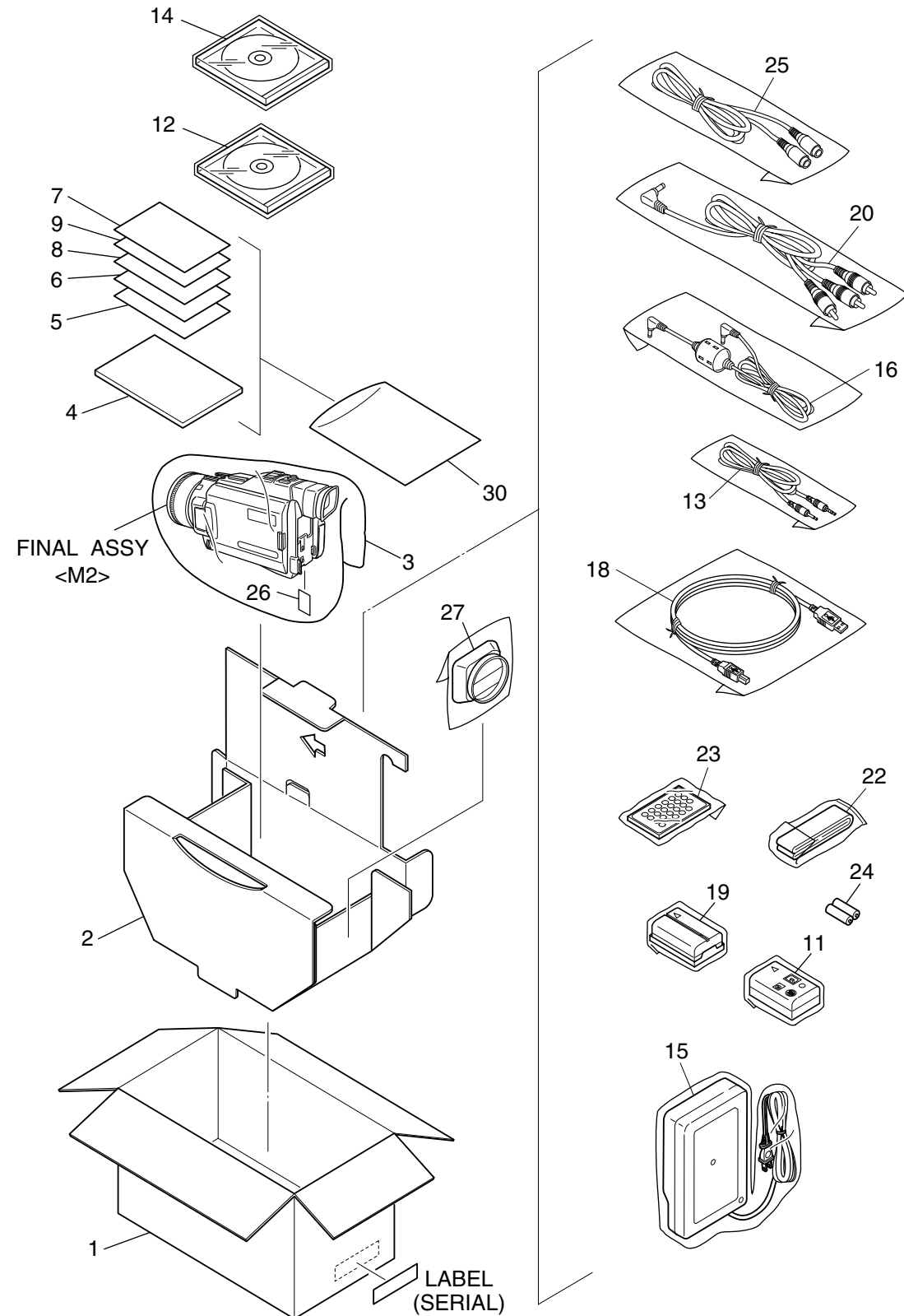
SECTION 5 PARTS LIST

SAFETY PRECAUTION

Parts identified by the \triangle symbol are critical for safety. Replace only with specified part numbers.

5.1 PACKING AND ACCESSORY ASSEMBLY <M1>

The instruction manual to be provided with this product will differ according to the destination.



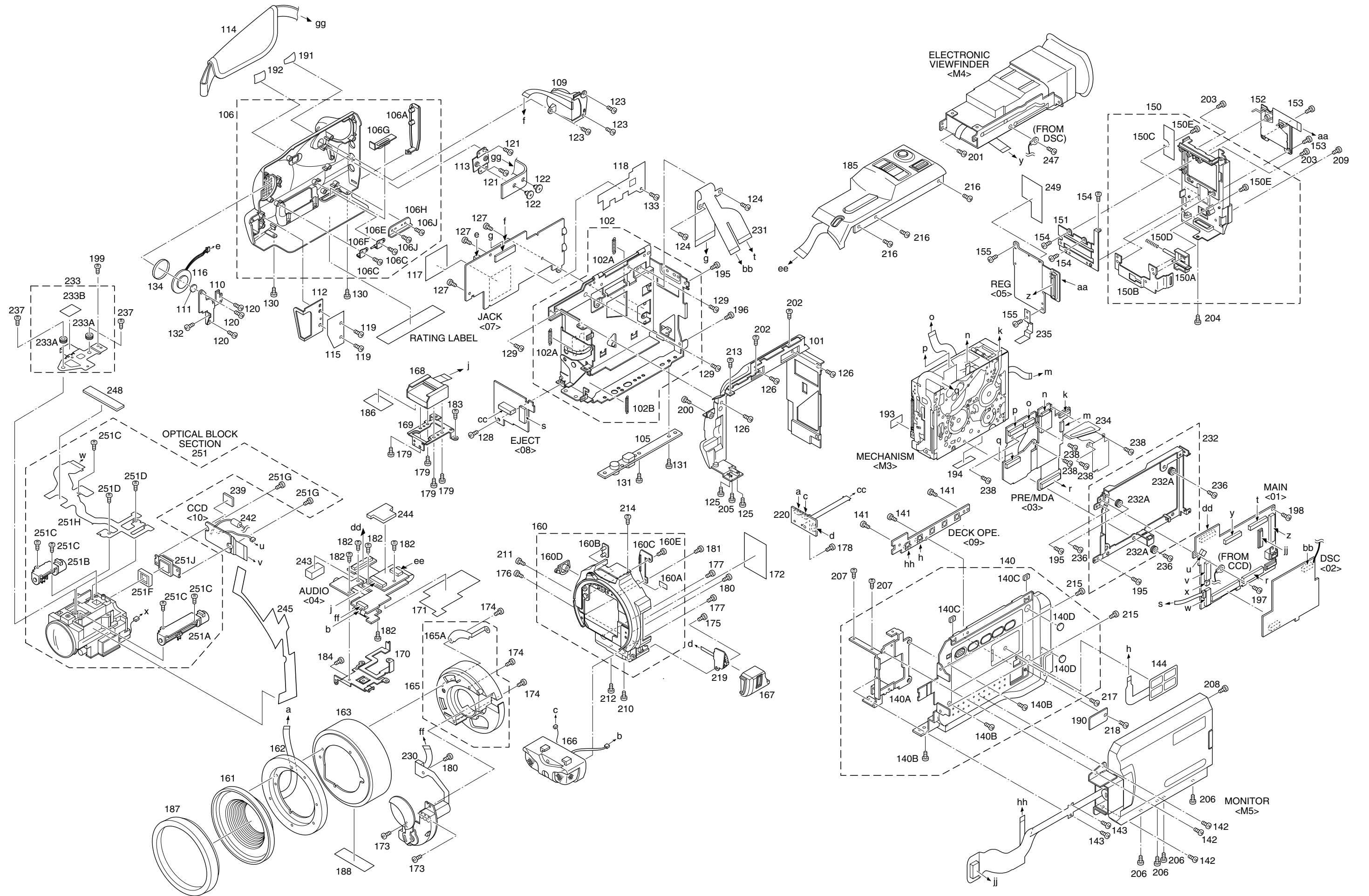
\triangle REF No. PART No. PART NAME, DESCRIPTION

PACKING AND ACCESSORY ASSEMBLY <M1>

1	LY32164-006A	PACKING CASE
2	LY20666-001B	CUSION
3	LY30023-020A	POLY BAG
\triangle 4	LYT0828-001A	INST.BOOK(EN)
5	LYT0736-028A	INST.BOOK(PRINTER.EN)
\triangle 6	LYT0709-001A	INST.BOOK(SOFT.3LANG)
7	BT-51024-1	SER.NET CARD
8	LYT0378-003A	SHEET(AGREMENT)
9	BT-51010-2	WARRANTY CARD
11	LY20677-002B	JACK BOX
12	LY32210-001B	CD ROM
13	PEAC0428-150	CABLE ASSY,EDITING CABLE
14	LY32210-009A	CD ROM
\triangle 15	LY20591-001B	AC POWER ADAPTER/CHARGER,AA-V40U
16	QAM0301-001	DC CABLE
18	QAM0322-001	USB CABLE
\triangle 19	LY31587-001A	BATTERY PACK,BN-V408U
20	QAM0211-001	CABLE ASSY,AUDIO/VIDEO CABLE
22	LY20186-001A	SHOULDER STRAP
23	LY20543-002A	REMOTE CONTROL UNIT,RM-V716U
24	-	BATTERY,AAA(R03),X2
25	QAM0004-004	S VIDEO CABLE
26	QAM0321-002	MULTIMEDIA CARD
27	LY32317-001A	LENS HOOD
30	QPA02003006	POLY BAG

• INSTRUCTIONS
EN ENGLISH

5.2 FINAL ASSEMBLY <M2>



△ REF No. PART No. PART NAME, DESCRIPTION

FINAL ASSEMBLY <M2>

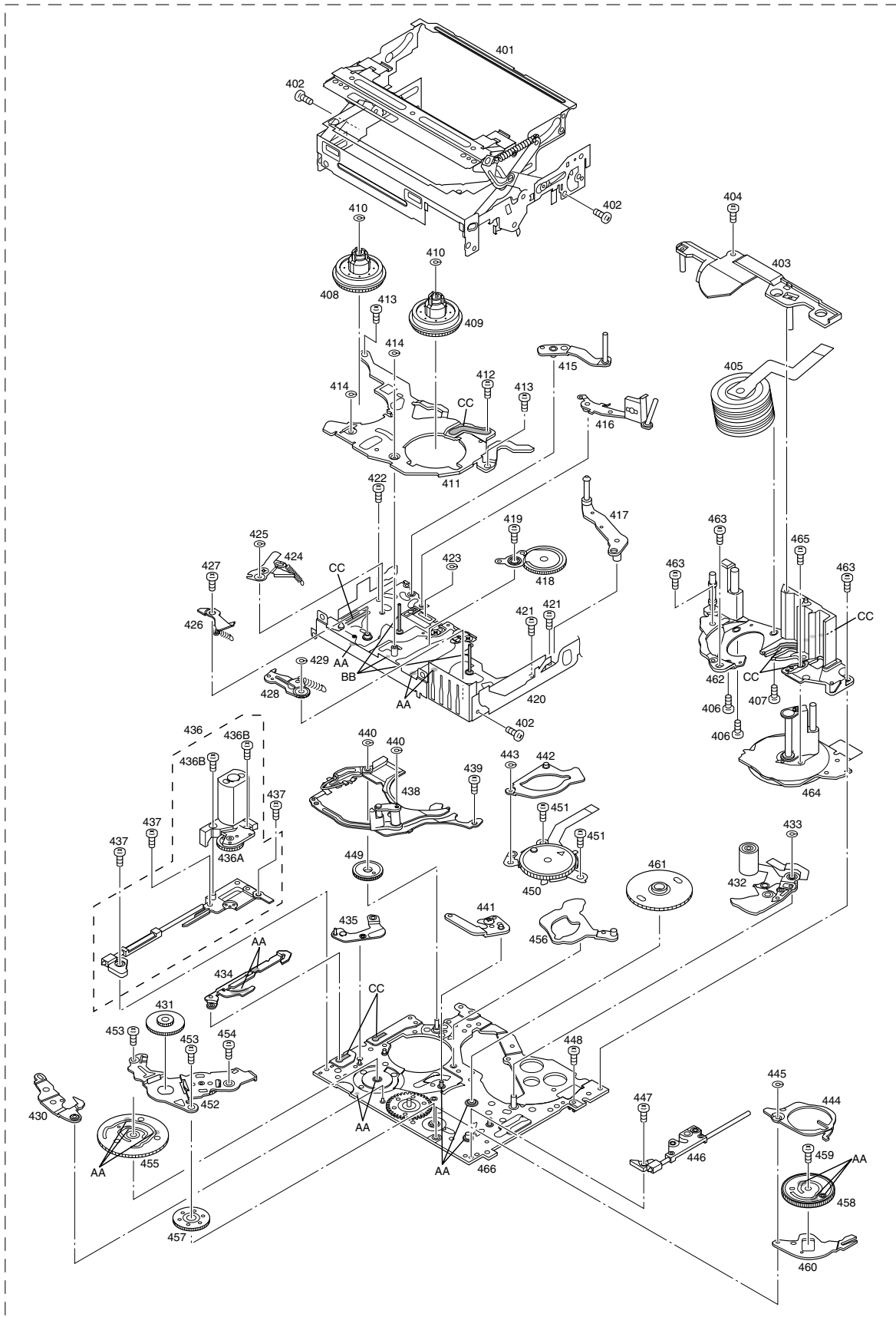
101	LY10266-001A	LOWER CASE
102	LY31964-001G	ARM ASSY
102A	LY30002-046B	COMPRESSION SPRING,X2
102B	LY42814-001A	TENSION SPRING
105	LY31984-001B	BASE
△ 106	LY20657-002C	CASSETTE COVER ASSY
106A	LY31973-001A	JACK COVER
106C	LY30018-021A	SPECIAL SCREW,X2
106E	LY32045-001A	HINGE ASSY(C)
106F	LY32045-002A	HINGE ASSY(C)
106G	LY42786-001A	KNOB(LOCK)
106H	LY42787-001A	HOLDER(LOCK)
106J	LY30018-037A	SPECIAL SCREW,X2
109	LY20653-002A	POWER OPE.UNIT
110	LY31977-001A	HOLDER(SPK)
111	LY42918-001B	SPACER(SPK)
112	LY42788-001B	HOOK
113	LY42789-001B	BRACKET(GRIP BELT)
114	LY20658-002A	GRIP BELT
115	LY43019-001A	SHEET(GRIP BELT)
116	QAS0063-001	SPEAKER
117	LY42878-001C	SHEET(MMC)
118	LY42881-001C	SPACER(JACK)
119	QYLSF2050D	SCREW,X2
120	LY30018-021A	SPECIAL SCREW,X3
121	QYLSF2040D	SCREW,X2
122	LY30018-0C7A	SPECIAL SCREW,X2
123	LY30018-0B7A	SPECIAL SCREW,X3
124	LY30018-005A	SPECIAL SCREW,X2
125	LY30018-080A	SPECIAL SCREW,X2
126	LY30018-006B	SPECIAL SCREW,X3
127	QYSPSPT1720R	SCREW,X3
128	QYSPSPT1720R	SCREW
129	LY30018-0B7A	SPECIAL SCREW,X3
130	LY30018-038A	SPECIAL SCREW,X2
131	LY30018-006B	SPECIAL SCREW,X2
132	LY30018-032A	SPECIAL SCREW
133	LY30018-0B7A	SPECIAL SCREW
134	LY40301-001A	SPACER(SPK)
△ 140	LY20659-005A	UPPER CASE ASSY
140A	LY31981-001A	BRACKET(HINGE)
140B	LY30018-038A	SPECIAL SCREW,X3
140C	LY40162-001A	BRACKET,X2
140D	LY40664-001A	SPACER,X2
141	LY30018-020A	SPECIAL SCREW,X3
142	LY30018-042A	SPECIAL SCREW,X3
143	LY30018-055A	SPECIAL SCREW,X2
144	LY32051-004A	SUB OPE.UNIT
150	LY31986-002B	REAR COVER ASSY
150A	LY31988-001D	KNOB(B.RELEASE)
150B	LY31989-001A	BRACKET(B.RELEASE)
150C	LY42792-001A	SHEET(REAR)
150D	LY30002-048A	COMPRESSION SPRING
150E	LY30018-066A	SPECIAL SCREW,X2
151	LY31987-001A	BRACKET(TERM)
152	LY20660-001C	BATTERY TERMINAL UNIT
153	LY30018-038A	SPECIAL SCREW,X2
154	LY30018-019A	SPECIAL SCREW,X3
155	LY30018-060A	SPECIAL SCREW,X2
160	LY20661-004A	FRONT COVER ASSY
160A	LY30029-0B1A	SPACER(A)
160B	LY31992-001A	LEVER(P/S)
160C	LY31993-001A	HOLDER(P/S)
160D	LY31995-002A	COVER(JACK)
160E	LY30018-0A7A	SPECIAL SCREW
161	LY32009-003A	HOOD
162	LY20654-002A	FOCUS UNIT
163	LY31996-004A	COVER(OP)
165	LY42840-001B	FRAME ASSY
165A	LY42841-001B	SHEET(EARTH)
166	LY20664-001B	MICROPHONE
167	LY31997-002A	COVER(MENU)
168	LY42949-001A	SHOE ASSY
169	LY31999-001A	BRACKET(H.S)
170	LY20665-001A	BRACKET(AUDIO)
171	LY42913-001A	SHEET(AUDIO)

△ REF No. PART No. PART NAME, DESCRIPTION

172	LY42920-001A	SHEET(FRONT)
173	LY30018-021A	SPECIAL SCREW,X2
174	LY30018-0A1A	SPECIAL SCREW,X3
175	LY30018-021A	SPECIAL SCREW
176	LY30018-037A	SPECIAL SCREW
177	LY30018-037A	SPECIAL SCREW,X2
178	LY30018-021A	SPECIAL SCREW
179	LY30018-031A	SPECIAL SCREW,X4
180	LY30018-052A	SPECIAL SCREW,X2
181	LY30018-0C1A	SPECIAL SCREW
182	LY30018-032A	SPECIAL SCREW,X5
183	LY30018-032A	SPECIAL SCREW
184	LY30018-021A	SPECIAL SCREW
185	LY10262-004A	ZOOM OPE.UNIT
186	LY30029-0D1A	SPACER(A)
187	LY32316-001A	RING
188	LY43171-001A	LABEL(CAUTION)
190	LY41393-007A	COVER(JIG CONN)
191	LY42790-001B	COVER(CASS)
192	LY32039-001B	COVER(CASS.R)
193	LY40699-002A	LABEL(PUSH)
194	LY32001-002A	LABEL(HOUSING)
195	QYSPSPT1715Z	SCREW,X3
196	LY30018-017A	SPECIAL SCREW
197	LY42424-001A	SPECIAL SCREW
198	LY30019-002A	SPECIAL SCREW
199	LY30018-006B	SPECIAL SCREW
200	LY30018-006B	SPECIAL SCREW
201	LY30018-059A	SPECIAL SCREW
202	LY30018-006B	SPECIAL SCREW,X2
203	LY30018-0C2A	SPECIAL SCREW,X2
204	LY30018-011A	SPECIAL SCREW
205	LY30018-044A	SPECIAL SCREW
206	LY30018-044A	SPECIAL SCREW,X4
207	LY30018-006B	SPECIAL SCREW,X2
208	LY30018-044A	SPECIAL SCREW
209	LY30018-011A	SPECIAL SCREW
210	LY30018-044A	SPECIAL SCREW
211	LY30018-023A	SPECIAL SCREW
212	LY30018-063A	SPECIAL SCREW
213	LY30018-006B	SPECIAL SCREW
214	LY30018-006B	SPECIAL SCREW
215	LY30018-023A	SPECIAL SCREW,X2
216	LY30018-053A	SPECIAL SCREW,X3
217	LY30018-053A	SPECIAL SCREW
218	LY30018-019A	SPECIAL SCREW
219	LY32072-001A	SW FPC ASSY
220	LY32071-001B	FRONT FPC ASSY
230	LY20676-001C	LENS SHUTTER ASSY
231	QAL0260-001	FPC,JACK CN301
232	LY32066-001A	BRACKET(MECHA)ASSY
232A	LY42796-001A	BUSH,X3
233	LY32067-001B	BRACKET(OP)ASSY
233A	LY42796-001A	BUSH,X2
233B	LY30029-0C6A	SPACER(A)
234	LY32012-001B	SHIELD COVER(PR)
235	LY42889-001A	SHIELD(REG)
236	LY30019-028A	SPECIAL SCREW,X3
237	LY30019-029B	SPECIAL SCREW,X2
238	QYSPSPT1414M	SCREW,X5
239	LY30029-0E6A	SPACER(A)
242	LY32194-001B	LUG WIRE ASSY
243	LY30029-0C8A	SPACER(A)
244	LY42952-001A	SHEET(AUDIO)
245	LY42951-001B	SHEET(OP)
247	QYSPSPT1712M	SCREW
248	LY30029-0F3A	SPACER(A)
249	LY42978-001B	SPACER(REG PWB)

- OPTICAL BLOCK SECTION -

251	J9C-101A	OPTICAL BLOCK ASSY
251A	LY31901-001A	ZOOM MOTOR
251B	LY31902-001A	FOCUS MOTOR
251C	LY30727-002A	SCREW,X5
251D	LY30727-001A	SCREW,X2
251F	LY31900-001A	SPACER RUBBER
251G	QYSPSGU1750Z	SCREW,X2
251H	LY31903-001A	IRIS MOTOR UNIT
251J	LYH40136-001A	CCD BASE ASSY



Classification	Part No.	Symbol in drawing
Grease	KYODO-SH-P	AA
Oil	YTU94027	BB
Grease (HANARL)	RX-410R	CC

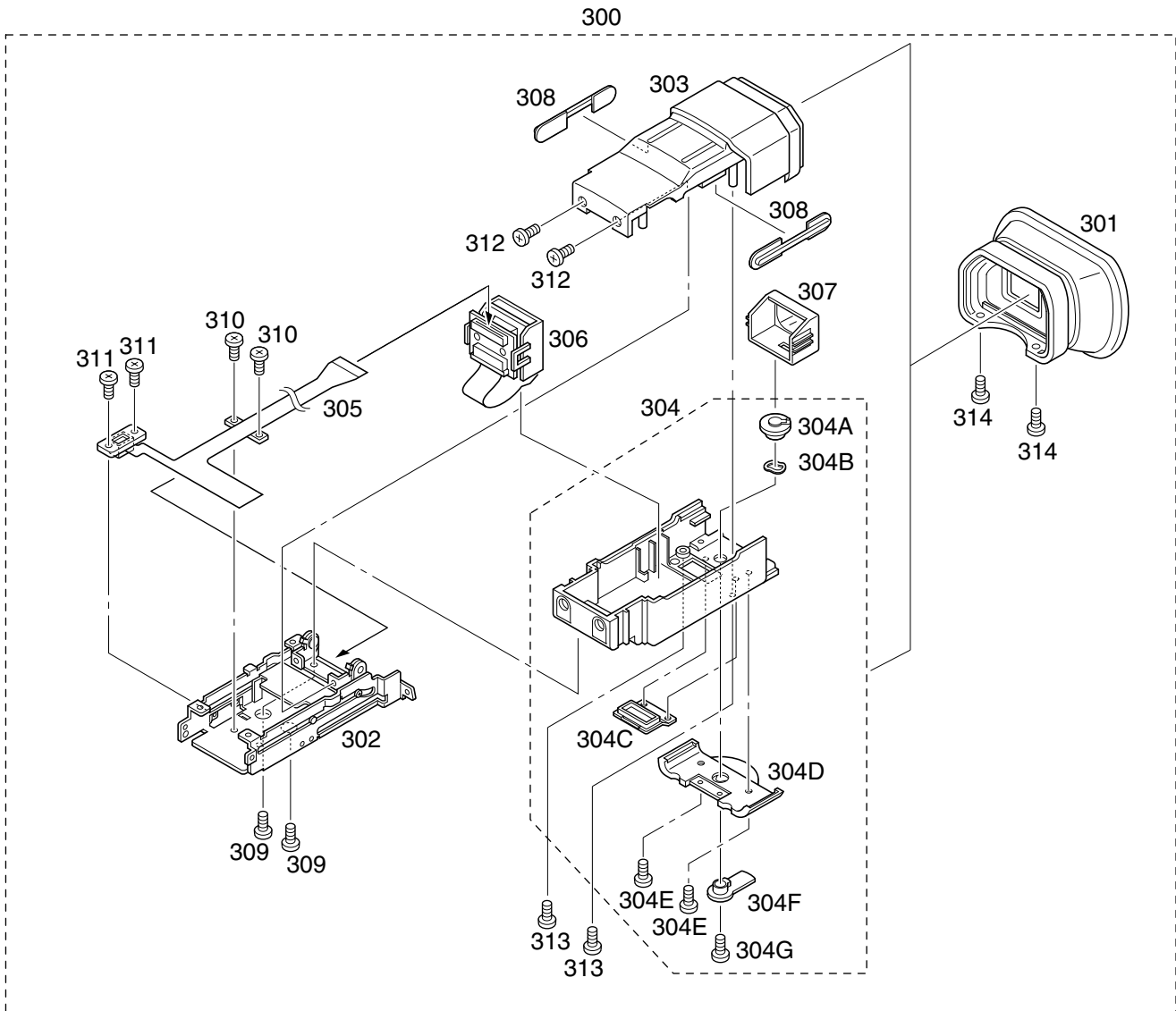
NOTE: The section marked in **AA** and **BB**, **CC** indicate lubrication and greasing areas.

#	△ REF No.	PART No.	PART NAME, DESCRIPTION

MECHANISM ASSEMBLY <M3>			
400		YMA0029A	MECHA(A)ASSY
401		LY31543-002B	CASSETTE HOUSING ASSY
402		YQ43893-8	MINI SCREW,X3
403		LY31542-001F	UPPER BASE ASSY
404		YQ43893	MINI SCREW
405		YDV2096A	DRUM ASSY
406		LY42820-001A	DAMPER SCREW ASSY,X2
407		LY42820-002A	DAMPER SCREW ASSY
408		LY31538-001B	REEL DISK ASSY
409		LY31538-002B	REEL DISK ASSY
410		YQ44246	SLIT WASHER,X2
411		LY10217-001A	REEL COVER ASSY
412		LY42120-001A	MINI SCREW
413		LY41945-003A	MINI SCREW,X2
414		YQ44246	SLIT WASHER,X2
415		LY42025-001C	TENSION ARM ASSY
416		LY31535-001C	SLANT POLE ARM ASSY
417		LY42031-001C	TU ARM ASSY
418		LY31531-001B	SWING ARM ASSY
419		YQ43893	MINI SCREW
420		LY20530-001C	SLIDE DECK F.ASSY
421		YQ43893	MINI SCREW,X2
422		LY43023-001A	MINI SCREW
423		YQ44246	SLIT WASHER
424		LY31533-001C	PAD ARM ASSY
425		YQ44246	SLIT WASHER
426		LY42014-001A	SUP BRAKE ASSY
427		YQ43893	MINI SCREW
428		LY42016-001A	TU BRAKE ASSY
429		YQ44246	SLIT WASHER
430		LY41959-001A	TENSION CONTROL LEVER ASSY
431		LY31525-001A	CENTER GEAR
432		LY31516-001B	PINCH ROLLER ARM FINAL ASSY
433		YQ44246	SLIT WASHER
434		LY41956-001C	TENSION CONTROL PLATE ASSY
435		LY41962-001B	BRAKE CONTROL LEVER ASSY
436		LY20525-001E	MOTOR BRACKET ASSY
436A		QAR0138-001	LOADING MOTOR
436B		LY41940-001A	TAPPING SCREW,X2
437		YQ43893	MINI SCREW,X3
438		LY20528-001H	GUIDE RAIL ASSY
439		YQ43893	MINI SCREW
440		YQ44246	SLIT WASHER,X2
441		LY31498-002B	SLIDE LEVER2 ASSY
442		LY41965-001A	LOADING PLATE ASSY
443		YQ44246	SLIT WASHER
444		LY31522-001A	EJECT LEVER
445		YQ44246	SLIT WASHER
446		LY41929-001A	BASE R ASSY
447		YQ43893	MINI SCREW
448		LY41945-001A	MINI SCREW
449		LY41930-001A	MODE GEAR
450		QSW0876-001	ROTARY ENCODER
451		LY31821-001A	ENCODER GEAR,X2
452		LY31524-001A	GEAR COVER ASSY
453		YQ43893	MINI SCREW,X2
454		YQ43893-4	MINI SCREW
455		LY41948-001B	MAIN CAM ASSY
456		LY41941-001A	SLIDE ARM ASSY

#	△ REF No.	PART No.	PART NAME, DESCRIPTION
457		LY41951-001A	CONNECT GEAR 2
458		LY41954-001A	SUB CAM ASSY
459		LY42120-001A	MINI SCREW
460		LY41952-001A	CONTROL ARM ASSY
461		LY31523-001A	REEL GEAR 1
462		LY31508-001B	DRUM BASE ASSY
463		QYSPSPU1425M	SCREW,X3
464		QAR0142-001	CAPSTAN MOTOR
465		YQ43893	MINI SCREW
466		LY10210-001C	MAIN DECK ASSY

5.4 ELECTRONIC VIEWFINDER ASSEMBLY <M4>



▲ REF No. PART No. PART NAME, DESCRIPTION

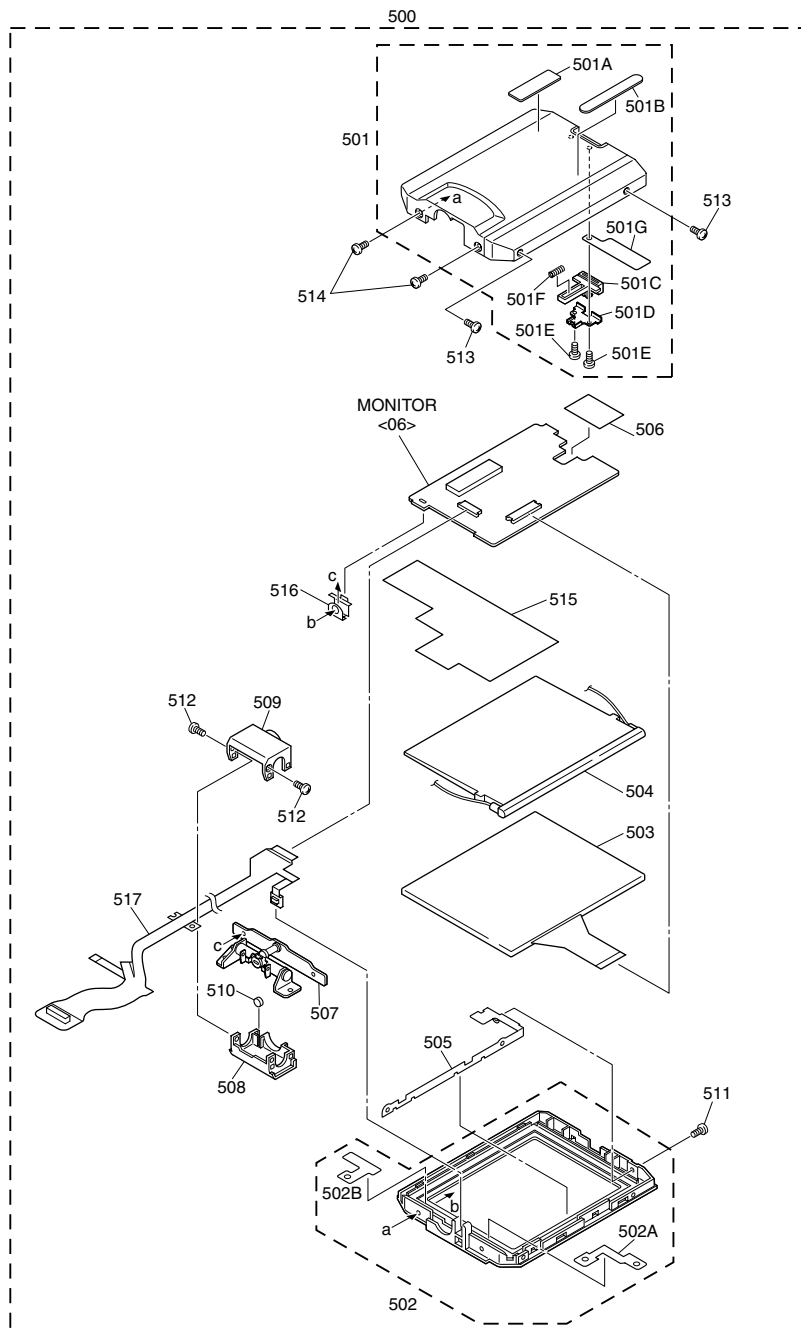
ELECTRONIC VIEWFINDER ASSEMBLY <M4>

#	REF No.	PART No.	PART NAME, DESCRIPTION
300	LY20671-002C		VF UNIT
301	PTY20671-001		EYE CAP
302	PTY20671-011		BRACKET(VF)ASSY
303	PTY20671-021		UPPER CASE ASSY
304	PTY20671-031		BOTTOM CASE ASSY
304A	PTY20671-032		LINK(VF)
304B	PTY20671-033		WAVE WASHER
304C	PTY20671-034		CAP
304D	PTY20671-035		COVER(CAP)

▲ REF No. PART No. PART NAME, DESCRIPTION

304E	PTY30018-0C8A	SCREW,X2
304F	PTY20671-037	LEVER(VF)
304G	LY30018-063A	SCREW
305	LY32070-001B	VF FPC ASSY
306	PTY20671-041	LCD UNIT
307	PTY20671-051	LENS ASSY
308	PTY20671-061	RIB,X2
309	LY30018-084A	SCREW,X2
310	LY30018-031A	SCREW,X2
311	LY30018-006B	SCREW,X2
312	LY30018-067B	SCREW,X2
313	LY30018-084A	SCREW,X2
314	LY30019-034A	SCREW,X2

5.5 MONITOR ASSEMBLY <M5>



▲ REF No. PART No. PART NAME, DESCRIPTION

MONITOR ASSEMBLY <M5>

▲ 500	LYH20192-007A	MONITOR ASSY
▲ 501	LY32013-008A	MONITOR COVER ASSY
501A	LY42883-003A	MARK
501B	LY42798-001A	MARK
501C	LY32014-001A	KNOB(LOCK)
501D	LY42799-001A	BRACKET(LOCK)
501E	LY30018-019A	SPECIAL SCREW,X2
501F	LY30002-047A	COMPRESSION SPRING
501G	LY42800-001A	SHEET(LOCK)
502	LY32015-001E	MONITOR CASE ASSY
502A	LY42801-001B	SHEET(EARTH.1)
502B	LY42971-001B	SHEET(EARTH3)

▲ REF No. PART No. PART NAME, DESCRIPTION

503	QLD0115-003	LCD MODULE
504	QLL0091-001	BACK LIGHT
505	LY32016-001A	BRACKET(MONITOR CASE)
506	LY30029-0C4A	SPACER(A)
507	LY32017-001C	HINGE ASSY
508	LY32018-002A	HINGE COVER(U)
509	LY32019-001A	HINGE COVER(L)
510	LY42355-001A	MAGNET
511	LY30018-053A	SPECIAL SCREW
512	LY30018-0A2A	SPECIAL SCREW,X2
513	LY30018-053A	SPECIAL SCREW,X2
514	LY30018-042A	SPECIAL SCREW,X2
515	LY42843-001C	MONITOR SHIELD PLATE
516	LY41726-001A	PLATE(EARTH)
517	LY20681-001A	FPC ASSY(LCD)

5.6 ELECTRICAL PARTS LIST

#	△ REF No.	PART No.	PART NAME, DESCRIPTION

MAIN BOARD ASSEMBLY <01>			
PW		YB10301E	MAIN BOARD ASSY
IC1001		YQ44908A	CSP IC ASSY
IC1002		RS5C314	IC
IC1003		X25330S8I-2.5-X	IC
		or 25LC320-I/SN-X	IC
		or AT25320N-10SI-X	IC
IC1004		TC7W08FU	IC(DIGITAL)
IC1005		TC7W66FU	IC(DIGITAL)
IC1007		MB90097PFV139	IC(MICRO C ROM)
IC1008		TC74VHC08FT	IC(DIGITAL)
IC1201		BA6417F	IC
IC1301		TC7SH32FU	IC(DIGITAL)
IC1302		TC7S02FU	IC(DIGITAL)
IC1401		YQ44907A	CSP IC ASSY
IC3001		JCY0133	IC
IC3002		JCY0136	IC
IC3302		TLC2940IPW	IC
IC3701		NJM2538V	IC
IC3702		MM1385HN	IC
IC3901		JCP8029	IC
IC3903		SN74AHC1G04K	IC
		or TC7S04FU	IC(DIGITAL)
IC3951		MM1504XN	IC
IC4201		HD49325BHF	IC
IC4202		RH5RZ31CA	IC
IC4301		YQ44871A	CSP ASSY
IC4302		MM1385NN	IC
IC4401		BU2501FV	IC
IC4802		TA75W01FU	IC
IC4803		TA75W01FU	IC
IC4804		NJM3414AV	IC
IC4805		MM6564XFBE	IC
IC4806		TC7W00FK	IC
IC4807		TC7W66FK	IC
IC4808		TC7S66FU	IC(DIGITAL)
IC4851		UPD16879GS	IC
IC4901		TA75W01FU	IC
IC4902		TA75W01FU	IC
IC4903		MM6564XFBE	IC
IC4904		NJM3414AV	IC
IC5001		JCY0138	IC
IC5002		MM1385DN	IC
IC5004		W194-70G-X	IC
IC6001		S-80842ANNP-W	IC
IC6002		S-817A33ANB-W	IC
IC6003		S-814A30AMC-W	IC
IC6004		S-80826ANNP-W	IC
Q1001		DTC143EE	TRANSISTOR
		or RN1101	TRANSISTOR
		or UN921LJ	TRANSISTOR
Q1002		2SC4617/QR/-X	TRANSISTOR
Q1003		DTC124EE	TRANSISTOR
		or RN1103	TRANSISTOR
		or UN9212J	TRANSISTOR
Q1301		2SC4617/RS/-X	TRANSISTOR
Q1401		DTA114EE	TRANSISTOR
		or RN2102	TRANSISTOR
		or UN9111J	TRANSISTOR
Q1402		UMC3N	TRANSISTOR

#	△ REF No.	PART No.	PART NAME, DESCRIPTION
		Q1403	UMC3N TRANSISTOR
		Q1404	DTC144EE TRANSISTOR
			or UN9213J TRANSISTOR
			or RN1104 TRANSISTOR
		Q2001	NDS352AP MOS FET
		Q2002	2SK1830 MOS FET
		Q3701	DTC144EE TRANSISTOR
			or UN9213J TRANSISTOR
			or RN1104 TRANSISTOR
		Q3702	2SC4617/RS/-X TRANSISTOR
		Q3951	UMZ1N PAIR TRANSISTOR
		Q3952	DTC144EE TRANSISTOR
			or UN9213J TRANSISTOR
			or RN1104 TRANSISTOR
		Q3953	UMZ1N PAIR TRANSISTOR
		Q3954	2SC4617/RS/-X TRANSISTOR
		Q4351	2SA1832FT/G/-X TRANSISTOR
		Q4352	UMT2N PAIR TRANSISTOR
		Q4353	UMT2N PAIR TRANSISTOR
		Q4354	2SA1832FT/G/-X TRANSISTOR
		Q4801	2SC4655/BC/-X TRANSISTOR
		Q4802	2SC4617/RS/-X TRANSISTOR
		Q4803	DTC144EE TRANSISTOR
			or UN9213J TRANSISTOR
			or RN1104 TRANSISTOR
		Q4804	DTA144EE TRANSISTOR
			or UN9113J TRANSISTOR
			or RN2104 TRANSISTOR
		Q4851	2SC4617/RS/-X TRANSISTOR
		Q4901	2SC4655/BC/-X TRANSISTOR
		Q6001	CPH3304 MOS FET
		Q6002	2SK3019 MOS FET
			or 2SK1830 MOS FET
		Q6003	2SJ347 MOS FET
		Q6004	2SK3019 MOS FET
			or 2SK1830 MOS FET
		Q6005	DTC144EE TRANSISTOR
			or UN9213J TRANSISTOR
			or RN1104 TRANSISTOR
		Q6006	CPH3304 MOS FET
		Q6007	RN47A3 TRANSISTOR
		D1002	DA221 DIODE
		D1201	DAP222 DIODE
		D1301	RB715F SB DIODE
		D2001	EMZ6.8N ZENER DIODE
		D2002	EMZ6.8N ZENER DIODE
		D2003	EMZ6.8N ZENER DIODE
		D2004	EMZ6.8N ZENER DIODE
		D2005	SBS006 SB DIODE
		D3002	EC2C01C VARI CAP DIODE
		D3301	EC2C01C VARI CAP DIODE
		D3302	EC2C01C VARI CAP DIODE
		D4101	1SS355 DIODE
		D4801	DAN222 DIODE
		D4802	DAN222 DIODE
		D4803	DAN222 DIODE
	△	D6001	RB706D-40-X SB DIODE
		D6002	RB715F SB DIODE
		R1001	NRSA6AJ-0R0W MG RESISTOR 0Ω,1/16W
		R1002	NRSA6AJ-473W MG RESISTOR 47kΩ,1/16W
		R1003	NRSA6AJ-102W MG RESISTOR 1kΩ,1/16W
		R1006	NRSA6AJ-104W MG RESISTOR 100kΩ,1/16W
		R1007	NRSA6AJ-472W MG RESISTOR 4.7kΩ,1/16W

#	△ REF No.	PART No.	PART NAME, DESCRIPTION	#	△ REF No.	PART No.	PART NAME, DESCRIPTION
R1008		NRSA6AJ-103W	MG RESISTOR 10kΩ,1/16W	R1096		NRSA6AJ-183W	MG RESISTOR 18kΩ,1/16W
R1009		NRSA6AJ-224W	MG RESISTOR 220kΩ,1/16W	R1097		NRSA6AJ-473W	MG RESISTOR 47kΩ,1/16W
R1010		NRSA6AJ-334W	MG RESISTOR 330kΩ,1/16W	R1098		NRSA6AJ-103W	MG RESISTOR 10kΩ,1/16W
R1011		NRSA6AJ-473W	MG RESISTOR 47kΩ,1/16W	R1099		NRSA6AJ-472W	MG RESISTOR 4.7kΩ,1/16W
R1012		NRSA6AJ-102W	MG RESISTOR 1kΩ,1/16W	R1105		NRSA6AJ-103W	MG RESISTOR 10kΩ,1/16W
R1013		NRSA6AJ-0R0W	MG RESISTOR 0Ω,1/16W	R1110		NRSA6AJ-473W	MG RESISTOR 47kΩ,1/16W
R1017		NRSA6AJ-102W	MG RESISTOR 1kΩ,1/16W	R1112		NRSA6AJ-473W	MG RESISTOR 47kΩ,1/16W
R1018		NRSA6AJ-102W	MG RESISTOR 1kΩ,1/16W	R1113		NRSA6AJ-102W	MG RESISTOR 1kΩ,1/16W
R1019		NRSA6AJ-104W	MG RESISTOR 100kΩ,1/16W	R1114		NRSA6AJ-102W	MG RESISTOR 1kΩ,1/16W
R1020		NRSA6AJ-102W	MG RESISTOR 1kΩ,1/16W	R1115		NRSA6AJ-102W	MG RESISTOR 1kΩ,1/16W
R1021		NRSA6AJ-102W	MG RESISTOR 1kΩ,1/16W	R1116		NRSA6AJ-103W	MG RESISTOR 10kΩ,1/16W
R1023		NRSA6AJ-104W	MG RESISTOR 100kΩ,1/16W	R1201		NRSA6AJ-103W	MG RESISTOR 10kΩ,1/16W
R1024		NRSA6AJ-102W	MG RESISTOR 1kΩ,1/16W	R1202		NRSA6AJ-153W	MG RESISTOR 15kΩ,1/16W
R1025		NRSA6AJ-104W	MG RESISTOR 100kΩ,1/16W	R1301		NRSA6AJ-103W	MG RESISTOR 10kΩ,1/16W
R1026		NRSA6AJ-103W	MG RESISTOR 10kΩ,1/16W	R1303		NRSA6AJ-472W	MG RESISTOR 4.7kΩ,1/16W
R1027		NRSA6AJ-102W	MG RESISTOR 1kΩ,1/16W	R1401		NRSA6AJ-102W	MG RESISTOR 1kΩ,1/16W
R1028		NRSA6AJ-102W	MG RESISTOR 1kΩ,1/16W	R1402		NRSA6AJ-222W	MG RESISTOR 2.2kΩ,1/16W
R1029		NRSA6AJ-473W	MG RESISTOR 47kΩ,1/16W	R1403		NRSA6AJ-222W	MG RESISTOR 2.2kΩ,1/16W
R1030		NRSA6AJ-472W	MG RESISTOR 4.7kΩ,1/16W	R1408		NRSA6AJ-472W	MG RESISTOR 4.7kΩ,1/16W
R1033		NRSA6AJ-103W	MG RESISTOR 10kΩ,1/16W	R1409		NRSA6AJ-331W	MG RESISTOR 330Ω,1/16W
R1034		NRSA6AJ-153W	MG RESISTOR 15kΩ,1/16W	R1413		NRSA6AJ-331W	MG RESISTOR 330Ω,1/16W
R1035		NRSA6AJ-474W	MG RESISTOR 470kΩ,1/16W	R1414		NRSA6AJ-102W	MG RESISTOR 1kΩ,1/16W
R1036		NRSA6AJ-474W	MG RESISTOR 470kΩ,1/16W	R1415		NRSA6AJ-102W	MG RESISTOR 1kΩ,1/16W
R1037		NRSA6AJ-474W	MG RESISTOR 470kΩ,1/16W	R1416		NRSA6AJ-102W	MG RESISTOR 1kΩ,1/16W
R1038		NRSA6AJ-102W	MG RESISTOR 1kΩ,1/16W	R1417		NRSA6AJ-102W	MG RESISTOR 1kΩ,1/16W
R1040		NRSA6AJ-0R0W	MG RESISTOR 0Ω,1/16W	R1418		NRSA6AJ-221W	MG RESISTOR 220Ω,1/16W
R1041		NRSA6AJ-103W	MG RESISTOR 10kΩ,1/16W	R1419		NRSA6AJ-221W	MG RESISTOR 220Ω,1/16W
R1042		NRSA6AJ-102W	MG RESISTOR 1kΩ,1/16W	R1420		NRSA6AJ-473W	MG RESISTOR 47kΩ,1/16W
R1043		NRSA6AJ-103W	MG RESISTOR 10kΩ,1/16W	R1422		NRSA6AJ-332W	MG RESISTOR 3.3kΩ,1/16W
R1044		NRSA6AJ-103W	MG RESISTOR 10kΩ,1/16W	R1423		NRSA6AJ-332W	MG RESISTOR 3.3kΩ,1/16W
R1045		NRSA6AJ-0R0W	MG RESISTOR 0Ω,1/16W	R1424		NRSA6AJ-332W	MG RESISTOR 3.3kΩ,1/16W
R1048		NRSA6AJ-103W	MG RESISTOR 10kΩ,1/16W	R1425		NRVA6AD-753W	CMF RESISTOR 75kΩ,1/16W
R1049		NRSA6AJ-0R0W	MG RESISTOR 0Ω,1/16W	R1426		NRSA6AJ-334W	MG RESISTOR 330kΩ,1/16W
R1050		NRSA6AJ-222W	MG RESISTOR 2.2kΩ,1/16W	R1429		NRSA6AJ-102W	MG RESISTOR 1kΩ,1/16W
R1051		NRSA6AJ-222W	MG RESISTOR 2.2kΩ,1/16W	R1430		NRSA6AJ-102W	MG RESISTOR 1kΩ,1/16W
R1052		NRSA6AJ-331W	MG RESISTOR 330Ω,1/16W	R1437		NRSA6AJ-0R0W	MG RESISTOR 0Ω,1/16W
R1056		NRSA6AJ-331W	MG RESISTOR 330Ω,1/16W	R1439		NRSA6AJ-332W	MG RESISTOR 3.3kΩ,1/16W
R1066		NRSA6AJ-0R0W	MG RESISTOR 0Ω,1/16W	R1440		NRSA6AJ-332W	MG RESISTOR 3.3kΩ,1/16W
R1067		NRSA6AJ-0R0W	MG RESISTOR 0Ω,1/16W	R1441		NRSA6AJ-332W	MG RESISTOR 3.3kΩ,1/16W
R1068		NRSA6AJ-0R0W	MG RESISTOR 0Ω,1/16W	R1442		NRSA6AJ-332W	MG RESISTOR 3.3kΩ,1/16W
R1069		NRSA6AJ-0R0W	MG RESISTOR 0Ω,1/16W	R1443		NRSA6AJ-102W	MG RESISTOR 1kΩ,1/16W
R1071		NRSA6AJ-0R0W	MG RESISTOR 0Ω,1/16W	R1444		NRSA6AJ-102W	MG RESISTOR 1kΩ,1/16W
R1072		NRSA6AJ-101W	MG RESISTOR 100Ω,1/16W	R1445		NRSA6AJ-101W	MG RESISTOR 100Ω,1/16W
R1073		NRSA6AJ-101W	MG RESISTOR 100Ω,1/16W	R2001		NRSA6AJ-104W	MG RESISTOR 100kΩ,1/16W
R1075		NRSA6AJ-102W	MG RESISTOR 1kΩ,1/16W	R2003		NRSA6AJ-0R0W	MG RESISTOR 0Ω,1/16W
R1076		NRSA6AJ-102W	MG RESISTOR 1kΩ,1/16W	R2005		NRSA6AJ-0R0W	MG RESISTOR 0Ω,1/16W
R1077		NRSA6AJ-102W	MG RESISTOR 1kΩ,1/16W	R2009		NRSA6AJ-103W	MG RESISTOR 10kΩ,1/16W
R1079		NRSA6AJ-103W	MG RESISTOR 10kΩ,1/16W	R2010		NRSA6AJ-103W	MG RESISTOR 10kΩ,1/16W
R1080		NRSA6AJ-104W	MG RESISTOR 100kΩ,1/16W	R2011		NRSA6AJ-103W	MG RESISTOR 10kΩ,1/16W
R1081		NRSA6AJ-223W	MG RESISTOR 22kΩ,1/16W	R2013		NRSA6AJ-103W	MG RESISTOR 10kΩ,1/16W
R1082		NRSA6AJ-393W	MG RESISTOR 39kΩ,1/16W	R2014		NRSA6AJ-102W	MG RESISTOR 1kΩ,1/16W
R1083		NRSA6AJ-104W	MG RESISTOR 100kΩ,1/16W	R2015		NRSA63J-0R0X	MG RESISTOR 0Ω,1/16W
R1084		NRSA6AJ-103W	MG RESISTOR 10kΩ,1/16W	R2017		NRSA6AJ-103W	MG RESISTOR 10kΩ,1/16W
R1085		NRSA6AJ-822W	MG RESISTOR 8.2kΩ,1/16W	R2018		NRSA6AJ-103W	MG RESISTOR 10kΩ,1/16W
R1086		NRSA6AJ-123W	MG RESISTOR 12kΩ,1/16W	R2019		NRSA6AJ-103W	MG RESISTOR 10kΩ,1/16W
R1087		NRSA6AJ-473W	MG RESISTOR 47kΩ,1/16W	R2020		NRSA6AJ-103W	MG RESISTOR 10kΩ,1/16W
R1088		NRSA6AJ-473W	MG RESISTOR 47kΩ,1/16W	R3001		NRSA6AJ-151W	MG RESISTOR 150Ω,1/16W
R1089		NRSA6AJ-473W	MG RESISTOR 47kΩ,1/16W	R3002		NRSA6AJ-272W	MG RESISTOR 2.7kΩ,1/16W
R1090		NRSA6AJ-473W	MG RESISTOR 47kΩ,1/16W	R3003		NRSA6AJ-151W	MG RESISTOR 150Ω,1/16W
R1091		NRSA6AJ-102W	MG RESISTOR 1kΩ,1/16W	R3004		NRSA6AJ-562W	MG RESISTOR 5.6kΩ,1/16W
R1092		NRSA6AJ-222W	MG RESISTOR 2.2kΩ,1/16W	R3005		NRSA6AJ-222W	MG RESISTOR 2.2kΩ,1/16W
R1094		NRSA6AJ-154W	MG RESISTOR 150kΩ,1/16W	R3006		NRSA6AJ-222W	MG RESISTOR 2.2kΩ,1/16W
R1095		NRSA6AJ-272W	MG RESISTOR 2.7kΩ,1/16W	R3007		NRSA6AJ-224W	MG RESISTOR 220kΩ,1/16W

#	△ REF No.	PART No.	PART NAME, DESCRIPTION	#	△ REF No.	PART No.	PART NAME, DESCRIPTION
R3008		NRSA6AJ-103W	MG RESISTOR 10kΩ,1/16W	R3967		NRSA6AJ-821W	MG RESISTOR 820Ω,1/16W
R3009		NRSA6AJ-103W	MG RESISTOR 10kΩ,1/16W	R3968		NRSA6AJ-821W	MG RESISTOR 820Ω,1/16W
R3015		NRSA6AJ-242W	MG RESISTOR 2.4kΩ,1/16W	R3969		NRSA6AJ-102W	MG RESISTOR 1kΩ,1/16W
R3016		NRSA6AJ-392W	MG RESISTOR 3.9kΩ,1/16W	R4101		NRSA6AJ-104W	MG RESISTOR 100kΩ,1/16W
R3017		NRSA6AJ-392W	MG RESISTOR 3.9kΩ,1/16W	R4203		NRSA6AJ-220W	MG RESISTOR 22Ω,1/16W
R3018		NRVA6AD-560W	CMF RESISTOR 56Ω,1/16W	R4204		NRSA6AJ-223W	MG RESISTOR 22kΩ,1/16W
R3019		NRVA6AD-560W	CMF RESISTOR 56Ω,1/16W	R4211		NRSA6AJ-221W	MG RESISTOR 220Ω,1/16W
R3020		NRVA6AD-560W	CMF RESISTOR 56Ω,1/16W	R4212		NRSA6AJ-221W	MG RESISTOR 220Ω,1/16W
R3021		NRVA6AD-560W	CMF RESISTOR 56Ω,1/16W	R4213		NRSA6AJ-221W	MG RESISTOR 220Ω,1/16W
R3022		NRVA6AD-512W	CMF RESISTOR 5.1kΩ,1/16W	R4214		NRSA6AJ-221W	MG RESISTOR 220Ω,1/16W
R3023		NRSA6AJ-103W	MG RESISTOR 10kΩ,1/16W	R4215		NRSA6AJ-221W	MG RESISTOR 220Ω,1/16W
R3024		NRSA6AJ-105W	MG RESISTOR 1MΩ,1/16W	R4216		NRSA6AJ-221W	MG RESISTOR 220Ω,1/16W
R3025		NRSA6AJ-222W	MG RESISTOR 2.2kΩ,1/16W	R4217		NRSA6AJ-221W	MG RESISTOR 220Ω,1/16W
R3026		NRSA6AJ-102W	MG RESISTOR 1kΩ,1/16W	R4218		NRSA6AJ-221W	MG RESISTOR 220Ω,1/16W
R3027		NRSA6AJ-102W	MG RESISTOR 1kΩ,1/16W	R4219		NRSA6AJ-221W	MG RESISTOR 220Ω,1/16W
R3029		NRSA6AJ-561W	MG RESISTOR 560Ω,1/16W	R4220		NRSA6AJ-221W	MG RESISTOR 220Ω,1/16W
R3030		NRSA6AJ-392W	MG RESISTOR 3.9kΩ,1/16W	R4302		NRSA6AJ-330W	MG RESISTOR 33Ω,1/16W
R3044		NRSA6AJ-0R0W	MG RESISTOR 0Ω,1/16W	R4303		NRSA6AJ-101W	MG RESISTOR 100Ω,1/16W
R3051		NRSA6AJ-0R0W	MG RESISTOR 0Ω,1/16W	R4304		NRSA6AJ-101W	MG RESISTOR 100Ω,1/16W
R3054		NRSA6AJ-0R0W	MG RESISTOR 0Ω,1/16W	R4305		NRSA6AJ-101W	MG RESISTOR 100Ω,1/16W
R3059		NRSA6AJ-103W	MG RESISTOR 10kΩ,1/16W	R4306		NRSA6AJ-101W	MG RESISTOR 100Ω,1/16W
R3060		NRSA6AJ-272W	MG RESISTOR 2.7kΩ,1/16W	R4307		NRSA6AJ-220W	MG RESISTOR 22Ω,1/16W
R3061		NRSA6AJ-103W	MG RESISTOR 10kΩ,1/16W	R4308		NRSA6AJ-220W	MG RESISTOR 22Ω,1/16W
R3062		NRSA6AJ-103W	MG RESISTOR 10kΩ,1/16W	R4318		NRSA6AJ-101W	MG RESISTOR 100Ω,1/16W
R3063		NRSA6AJ-103W	MG RESISTOR 10kΩ,1/16W	R4320		NRSA6AJ-220W	MG RESISTOR 22Ω,1/16W
R3064		NRSA6AJ-103W	MG RESISTOR 10kΩ,1/16W	R4321		NRSA6AJ-220W	MG RESISTOR 22Ω,1/16W
R3311		NRVA6AD-222W	CMF RESISTOR 2.2kΩ,1/16W	R4322		NRSA6AJ-333W	MG RESISTOR 33kΩ,1/16W
R3313		NRSA6AJ-105W	MG RESISTOR 1MΩ,1/16W	R4323		NRSA6AJ-333W	MG RESISTOR 33kΩ,1/16W
R3314		NRSA6AJ-101W	MG RESISTOR 100Ω,1/16W	R4328		NRSA6AJ-220W	MG RESISTOR 22Ω,1/16W
R3318		NRSA6AJ-224W	MG RESISTOR 220kΩ,1/16W	R4329		NRSA6AJ-220W	MG RESISTOR 22Ω,1/16W
R3319		NRSA6AJ-224W	MG RESISTOR 220kΩ,1/16W	R4330		NRSA6AJ-470W	MG RESISTOR 47Ω,1/16W
R3331		NRSA6AJ-103W	MG RESISTOR 10kΩ,1/16W	R4331		NRSA6AJ-220W	MG RESISTOR 22Ω,1/16W
R3338		NRSA6AJ-680W	MG RESISTOR 68Ω,1/16W	R4332		NRSA6AJ-220W	MG RESISTOR 22Ω,1/16W
R3341		NRSA6AJ-0R0W	MG RESISTOR 0Ω,1/16W	R4333		NRSA6AJ-220W	MG RESISTOR 22Ω,1/16W
R3701		NRSA6AJ-225W	MG RESISTOR 2.2MΩ,1/16W	R4334		NRSA6AJ-220W	MG RESISTOR 22Ω,1/16W
R3702		NRSA6AJ-103W	MG RESISTOR 10kΩ,1/16W	R4335		NRSA6AJ-220W	MG RESISTOR 22Ω,1/16W
R3703		NRSA6AJ-203W	MG RESISTOR 20kΩ,1/16W	R4337		NRSA6AJ-152W	MG RESISTOR 1.5kΩ,1/16W
R3704		NRSA6AJ-103W	MG RESISTOR 10kΩ,1/16W	R4342		NRSA6AJ-220W	MG RESISTOR 22Ω,1/16W
R3706		NRSA6AJ-121W	MG RESISTOR 120Ω,1/16W	R4343		NRSA6AJ-220W	MG RESISTOR 22Ω,1/16W
R3707		NRSA6AJ-121W	MG RESISTOR 120Ω,1/16W	R4344		NRSA6AJ-220W	MG RESISTOR 22Ω,1/16W
R3708		NRSA6AJ-103W	MG RESISTOR 10kΩ,1/16W	R4345		NRSA6AJ-220W	MG RESISTOR 22Ω,1/16W
R3709		NRSA6AJ-224W	MG RESISTOR 220kΩ,1/16W	R4346		NRSA6AJ-220W	MG RESISTOR 22Ω,1/16W
R3710		NRSA6AJ-103W	MG RESISTOR 10kΩ,1/16W	R4347		NRSA6AJ-220W	MG RESISTOR 22Ω,1/16W
R3712		NRSA6AJ-680W	MG RESISTOR 68Ω,1/16W	R4348		NRSA6AJ-220W	MG RESISTOR 22Ω,1/16W
R3713		NRSA6AJ-680W	MG RESISTOR 68Ω,1/16W	R4349		NRSA6AJ-220W	MG RESISTOR 22Ω,1/16W
R3714		NRSA6AJ-101W	MG RESISTOR 100Ω,1/16W	R4356		NRVA6AD-272W	CMF RESISTOR 2.7kΩ,1/16W
R3715		NRSA6AJ-472W	MG RESISTOR 4.7kΩ,1/16W	R4358		NRVA6AD-272W	CMF RESISTOR 2.7kΩ,1/16W
R3716		NRSA6AJ-472W	MG RESISTOR 4.7kΩ,1/16W	R4360		NRVA6AD-272W	CMF RESISTOR 2.7kΩ,1/16W
R3901		NRVA6AD-821W	CMF RESISTOR 820Ω,1/16W	R4362		NRVA6AD-272W	CMF RESISTOR 2.7kΩ,1/16W
R3902		NRVA6AD-273W	CMF RESISTOR 27kΩ,1/16W	R4363		NRSA6AJ-153W	MG RESISTOR 15kΩ,1/16W
R3903		NRVA6AD-153W	CMF RESISTOR 15kΩ,1/16W	R4364		NRSA6AJ-103W	MG RESISTOR 10kΩ,1/16W
R3904		NRVA6AD-821W	CMF RESISTOR 820Ω,1/16W	R4367		NRSA6AJ-102W	MG RESISTOR 1kΩ,1/16W
R3951		NRVA6AD-561W	CMF RESISTOR 560Ω,1/16W	R4369		NRVA6AD-201W	CMF RESISTOR 200Ω,1/16W
R3953		NRVA6AD-152W	CMF RESISTOR 1.5kΩ,1/16W	R4370		NRSA6AJ-102W	MG RESISTOR 1kΩ,1/16W
R3954		NRSA6AJ-222W	MG RESISTOR 2.2kΩ,1/16W	R4371		NRVA6AD-201W	CMF RESISTOR 200Ω,1/16W
R3955		NRSA6AJ-102W	MG RESISTOR 1kΩ,1/16W	R4372		NRSA6AJ-222W	MG RESISTOR 2.2kΩ,1/16W
R3956		NRSA6AJ-474W	MG RESISTOR 470kΩ,1/16W	R4373		NRSA6AJ-222W	MG RESISTOR 2.2kΩ,1/16W
R3961		NRVA6AD-561W	CMF RESISTOR 560Ω,1/16W	R4374		NRVA6AD-201W	CMF RESISTOR 200Ω,1/16W
R3962		NRSA6AJ-822W	MG RESISTOR 8.2kΩ,1/16W	R4375		NRVA6AD-271W	CMF RESISTOR 270Ω,1/16W
R3963		NRVA6AD-182W	CMF RESISTOR 1.8kΩ,1/16W	R4376		NRSA6AJ-222W	MG RESISTOR 2.2kΩ,1/16W
R3964		NRSA6AJ-183W	MG RESISTOR 18kΩ,1/16W	R4378		NRSA6AJ-222W	MG RESISTOR 2.2kΩ,1/16W
R3965		NRSA6AJ-183W	MG RESISTOR 18kΩ,1/16W	R4379		NRVA6AD-333W	CMF RESISTOR 33kΩ,1/16W
R3966		NRSA6AJ-681W	MG RESISTOR 680Ω,1/16W	R4383		NRVA6AD-271W	CMF RESISTOR 270Ω,1/16W

#	△	REF No.	PART No.	PART NAME, DESCRIPTION		#	△	REF No.	PART No.	PART NAME, DESCRIPTION	
R4390			NRSA6AJ-103W	MG RESISTOR	10kΩ, 1/16W	R4920			NRSA6AJ-104W	MG RESISTOR	100kΩ, 1/16W
R4805			NRSA6AJ-103W	MG RESISTOR	10kΩ, 1/16W	R4921			NRSA6AJ-151W	MG RESISTOR	150Ω, 1/16W
R4806			NRSA6AJ-823W	MG RESISTOR	82kΩ, 1/16W	R4922			NRSA6AJ-103W	MG RESISTOR	10kΩ, 1/16W
R4807			NRSA6AJ-683W	MG RESISTOR	68kΩ, 1/16W	R4923			NRSA6AJ-103W	MG RESISTOR	10kΩ, 1/16W
R4808			NRSA6AJ-243W	MG RESISTOR	24kΩ, 1/16W	R4924			NRSA6AJ-564W	MG RESISTOR	560kΩ, 1/16W
R4809			NRSA6AJ-561W	MG RESISTOR	560Ω, 1/16W	R4926			NRSA6AJ-333W	MG RESISTOR	33kΩ, 1/16W
R4810			NRSA6AJ-103W	MG RESISTOR	10kΩ, 1/16W	R5002			NRVA6AD-100W	CMF RESISTOR	10Ω, 1/16W
R4811			NRSA6AJ-684W	MG RESISTOR	680kΩ, 1/16W	R5003			NRVA6AD-100W	CMF RESISTOR	10Ω, 1/16W
R4812			NRSA6AJ-153W	MG RESISTOR	15kΩ, 1/16W	R5004			NRVA6AD-100W	CMF RESISTOR	10Ω, 1/16W
R4814			NRSA6AJ-105W	MG RESISTOR	1MΩ, 1/16W	R5005			NRVA6AD-100W	CMF RESISTOR	10Ω, 1/16W
R4815			NRSA6AJ-472W	MG RESISTOR	4.7kΩ, 1/16W	R5006			NRVA6AD-100W	CMF RESISTOR	10Ω, 1/16W
R4816			NRSA6AJ-185W	MG RESISTOR	1.8MΩ, 1/16W	R5007			NRVA6AD-100W	CMF RESISTOR	10Ω, 1/16W
R4819			NRSA6AJ-103W	MG RESISTOR	10kΩ, 1/16W	R5011			NRSA6AJ-330W	MG RESISTOR	33Ω, 1/16W
R4820			NRSA6AJ-104W	MG RESISTOR	100kΩ, 1/16W	R5016			NRSA6AJ-220W	MG RESISTOR	22Ω, 1/16W
R4821			NRSA6AJ-104W	MG RESISTOR	100kΩ, 1/16W	R5017			NRSA6AJ-220W	MG RESISTOR	22Ω, 1/16W
R4822			NRSA6AJ-333W	MG RESISTOR	33kΩ, 1/16W	R5021			NRVA6AD-101W	CMF RESISTOR	100Ω, 1/16W
R4823			NRSA6AJ-102W	MG RESISTOR	1kΩ, 1/16W	R5023			NRSA6AJ-220W	MG RESISTOR	22Ω, 1/16W
R4824			NRSA6AJ-472W	MG RESISTOR	4.7kΩ, 1/16W	R5024			NRSA6AJ-220W	MG RESISTOR	22Ω, 1/16W
R4825			NRSA6AJ-183W	MG RESISTOR	18kΩ, 1/16W	R5025			NRSA6AJ-330W	MG RESISTOR	33Ω, 1/16W
R4826			NRSA6AJ-333W	MG RESISTOR	33kΩ, 1/16W	R5026			NRSA6AJ-330W	MG RESISTOR	33Ω, 1/16W
R4828			NRSA6AJ-122W	MG RESISTOR	1.2kΩ, 1/16W	R5027			NRSA6AJ-330W	MG RESISTOR	33Ω, 1/16W
R4831			NRSA6AJ-472W	MG RESISTOR	4.7kΩ, 1/16W	R5028			NRSA6AJ-330W	MG RESISTOR	33Ω, 1/16W
R4832			NRSA6AJ-103W	MG RESISTOR	10kΩ, 1/16W	R5029			NRSA6AJ-220W	MG RESISTOR	22Ω, 1/16W
R4833			NRSA6AJ-104W	MG RESISTOR	100kΩ, 1/16W	R6001			NRSA6AJ-104W	MG RESISTOR	100kΩ, 1/16W
R4834			NRSA6AJ-103W	MG RESISTOR	10kΩ, 1/16W	R6002			NRVA6AD-183W	CMF RESISTOR	18kΩ, 1/16W
R4835			NRSA6AJ-103W	MG RESISTOR	10kΩ, 1/16W	R6003			NRSA6AJ-104W	MG RESISTOR	100kΩ, 1/16W
R4836			NRSA6AJ-151W	MG RESISTOR	150Ω, 1/16W	R6004			NRSA6AJ-102W	MG RESISTOR	1kΩ, 1/16W
R4837			NRSA6AJ-102W	MG RESISTOR	1kΩ, 1/16W	R6005			NRSA6AJ-224W	MG RESISTOR	220kΩ, 1/16W
R4838			NRSA6AJ-470W	MG RESISTOR	47Ω, 1/16W	R6006			NRSA6AJ-104W	MG RESISTOR	100kΩ, 1/16W
R4841			NRSA6AJ-564W	MG RESISTOR	560kΩ, 1/16W	R6007			NRSA6AJ-104W	MG RESISTOR	100kΩ, 1/16W
R4846			NRSA6AJ-0R0W	MG RESISTOR	0Ω, 1/16W	R6009			NRSA6AJ-222W	MG RESISTOR	2.2kΩ, 1/16W
R4856			NRSA6AJ-6R8W	MG RESISTOR	6.8Ω, 1/16W	R6010			NRSA6AJ-104W	MG RESISTOR	100kΩ, 1/16W
R4857			NRSA6AJ-6R8W	MG RESISTOR	6.8Ω, 1/16W	R6011			NRSA6AJ-104W	MG RESISTOR	100kΩ, 1/16W
R4858			NRSA6AJ-333W	MG RESISTOR	33kΩ, 1/16W	R6012			NRVA6AD-823W	CMF RESISTOR	82kΩ, 1/16W
R4860			NRSA6AJ-0R0W	MG RESISTOR	0Ω, 1/16W	R6013			NRVA6AD-473W	CMF RESISTOR	47kΩ, 1/16W
R4862			NRSA6AJ-6R8W	MG RESISTOR	6.8Ω, 1/16W	△ R6017			NRSA63J-102X	MG RESISTOR	1kΩ, 1/16W
R4863			NRSA6AJ-6R8W	MG RESISTOR	6.8Ω, 1/16W	R6018			NRSA63J-471X	MG RESISTOR	470Ω, 1/16W
R4864			NRSA6AJ-102W	MG RESISTOR	1kΩ, 1/16W	RA1001			NRZ0034-102W	NETWORK RESISTOR	1kΩ
R4865			NRSA6AJ-102W	MG RESISTOR	1kΩ, 1/16W	RA1002			NRZ0034-102W	NETWORK RESISTOR	1kΩ
R4866			NRSA6AJ-102W	MG RESISTOR	1kΩ, 1/16W	RA1003			NRZ0034-102W	NETWORK RESISTOR	1kΩ
R4867			NRSA6AJ-102W	MG RESISTOR	1kΩ, 1/16W	RA1004			NRZ0034-102W	NETWORK RESISTOR	1kΩ
R4868			NRSA6AJ-0R0W	MG RESISTOR	0Ω, 1/16W	RA1005			NRZ0034-102W	NETWORK RESISTOR	1kΩ
R4870			NRSA6AJ-271W	MG RESISTOR	270Ω, 1/16W	RA1006			NRZ0034-104W	NETWORK RESISTOR	100kΩ
R4871			NRSA6AJ-0R0W	MG RESISTOR	0Ω, 1/16W	RA1007			NRZ0034-104W	NETWORK RESISTOR	100kΩ
R4901			NRSA6AJ-103W	MG RESISTOR	10kΩ, 1/16W	RA1401			NRZ0034-473W	NETWORK RESISTOR	47kΩ
R4902			NRSA6AJ-683W	MG RESISTOR	68kΩ, 1/16W	RA1402			NRZ0034-102W	NETWORK RESISTOR	1kΩ
R4903			NRSA6AJ-823W	MG RESISTOR	82kΩ, 1/16W	RA1403			NRZ0034-102W	NETWORK RESISTOR	1kΩ
R4904			NRSA6AJ-243W	MG RESISTOR	24kΩ, 1/16W	RA4301			NRZ0034-221W	NETWORK RESISTOR	220Ω
R4905			NRSA6AJ-103W	MG RESISTOR	10kΩ, 1/16W	RA4302			NRZ0034-221W	NETWORK RESISTOR	220Ω
R4906			NRSA6AJ-561W	MG RESISTOR	560Ω, 1/16W	RA4303			NRZ0034-221W	NETWORK RESISTOR	220Ω
R4907			NRSA6AJ-684W	MG RESISTOR	680kΩ, 1/16W	RA4304			NRZ0034-221W	NETWORK RESISTOR	220Ω
R4908			NRSA6AJ-153W	MG RESISTOR	15kΩ, 1/16W	RA4305			NRZ0034-221W	NETWORK RESISTOR	220Ω
R4909			NRSA6AJ-185W	MG RESISTOR	1.8MΩ, 1/16W	RA4306			NRZ0034-221W	NETWORK RESISTOR	220Ω
R4910			NRSA6AJ-105W	MG RESISTOR	1MΩ, 1/16W	RA4307			NRZ0034-221W	NETWORK RESISTOR	220Ω
R4911			NRSA6AJ-472W	MG RESISTOR	4.7kΩ, 1/16W	RA4308			NRZ0034-221W	NETWORK RESISTOR	220Ω
R4912			NRSA6AJ-103W	MG RESISTOR	10kΩ, 1/16W	C1001			NBE90JM-106X	T CAPACITOR	10μF, 6.3V
R4913			NRSA6AJ-104W	MG RESISTOR	100kΩ, 1/16W	C1002			NCBA1AK-104W	CAPACITOR	0.1μF, 10V
R4914			NRSA6AJ-104W	MG RESISTOR	100kΩ, 1/16W	C1003			NBE90JM-106X	T CAPACITOR	10μF, 6.3V
R4915			NRSA6AJ-472W	MG RESISTOR	4.7kΩ, 1/16W	C1004			NCBA1AK-104W	CAPACITOR	0.1μF, 10V
R4916			NRSA6AJ-333W	MG RESISTOR	33kΩ, 1/16W	C1005			NBE90JM-106X	T CAPACITOR	10μF, 6.3V
R4917			NRSA6AJ-102W	MG RESISTOR	1kΩ, 1/16W	C1006			NCBA1AK-104W	CAPACITOR	0.1μF, 10V
R4918			NRSA6AJ-183W	MG RESISTOR	18kΩ, 1/16W	C1007			NCBA1CK-103W	CAPACITOR	0.01μF, 16V
R4919			NRSA6AJ-122W	MG RESISTOR	1.2kΩ, 1/16W	C1008			NCBA1CK-103W	CAPACITOR	0.01μF, 16V

#	△ REF No.	PART No.	PART NAME, DESCRIPTION	#	△ REF No.	PART No.	PART NAME, DESCRIPTION
C1009		NDCA1HJ-130W	CAPACITOR 13pF,50V	C2023		NCBA1CK-103W	CAPACITOR 0.01μF,16V
C1010		NCBA1CK-103W	CAPACITOR 0.01μF,16V	C2024		NCBA1CK-103W	CAPACITOR 0.01μF,16V
C1011		NCBA1AK-104W	CAPACITOR 0.1μF,10V	C2025		NCBA1CK-103W	CAPACITOR 0.01μF,16V
C1012		NCBA1CK-103W	CAPACITOR 0.01μF,16V	C2026		NCBA1CK-103W	CAPACITOR 0.01μF,16V
C1013		NCBA1CK-103W	CAPACITOR 0.01μF,16V	C2027		NCBA1CK-103W	CAPACITOR 0.01μF,16V
C1014		NCBA1CK-103W	CAPACITOR 0.01μF,16V	C2028		NCBA1CK-103W	CAPACITOR 0.01μF,16V
C1015		NCBA1CK-103W	CAPACITOR 0.01μF,16V	C2029		NCBA1CK-103W	CAPACITOR 0.01μF,16V
C1016		NCBA1CK-103W	CAPACITOR 0.01μF,16V	C2030		NCBA1CK-103W	CAPACITOR 0.01μF,16V
C1017		NCBA1CK-103W	CAPACITOR 0.01μF,16V	C2031		NCBA1CK-103W	CAPACITOR 0.01μF,16V
C1018		NCBA1CK-103W	CAPACITOR 0.01μF,16V	C2032		NCBA1CK-103W	CAPACITOR 0.01μF,16V
C1019		NCBA1CK-103W	CAPACITOR 0.01μF,16V	C2033		NCBA1CK-103W	CAPACITOR 0.01μF,16V
C1020		NCBA1CK-103W	CAPACITOR 0.01μF,16V	C2034		NCBA1CK-103W	CAPACITOR 0.01μF,16V
C1021		NCBA1AK-104W	CAPACITOR 0.1μF,10V	C2035		NCB11CK-105X	CAPACITOR 1μF,16V
C1025		NCBA1AK-104W	CAPACITOR 0.1μF,10V	C2036		NCBA1CK-103W	CAPACITOR 0.01μF,16V
C1026		NCBA1CK-103W	CAPACITOR 0.01μF,16V	C2037		NCBA1CK-103W	CAPACITOR 0.01μF,16V
C1027		NCBA1CK-103W	CAPACITOR 0.01μF,16V	C2038		NCBA1CK-103W	CAPACITOR 0.01μF,16V
C1028		NCBA1CK-103W	CAPACITOR 0.01μF,16V	C2039		NCBA1CK-103W	CAPACITOR 0.01μF,16V
C1029		NCBA1CK-103W	CAPACITOR 0.01μF,16V	C2040		NCBA1CK-103W	CAPACITOR 0.01μF,16V
C1030		NCBA1AK-104W	CAPACITOR 0.1μF,10V	C2041		NCBA1CK-103W	CAPACITOR 0.01μF,16V
C1031		NCBA1CK-103W	CAPACITOR 0.01μF,16V	C2042		NCBA1CK-103W	CAPACITOR 0.01μF,16V
C1032		NCB30JK-105X	CAPACITOR 1μF,6.3V	C2043		NCBA1CK-103W	CAPACITOR 0.01μF,16V
C1201		NCBA1AK-104W	CAPACITOR 0.1μF,10V	C3002		NCBA1AK-104W	CAPACITOR 0.1μF,10V
C1202		NCBA1AK-104W	CAPACITOR 0.1μF,10V	C3005		NCBA1AK-104W	CAPACITOR 0.1μF,10V
C1204		NCB21AK-105X	CAPACITOR 1μF,10V	C3006		NCBA1AK-104W	CAPACITOR 0.1μF,10V
C1301		NCBA1CK-103W	CAPACITOR 0.01μF,16V	C3008		NCBA1AK-104W	CAPACITOR 0.1μF,10V
C1302		NCBA1CK-103W	CAPACITOR 0.01μF,16V	C3009		NCBA1AK-104W	CAPACITOR 0.1μF,10V
C1401		NBE90JM-106X	T CAPACITOR 10μF,6.3V	C3010		NCBA1AK-104W	CAPACITOR 0.1μF,10V
C1402		NBE90JM-106X	T CAPACITOR 10μF,6.3V	C3012		NCBA1AK-104W	CAPACITOR 0.1μF,10V
C1405		NCFA1AZ-104W	CAPACITOR 0.1μF,10V	C3014		NDCA1HJ-330W	CAPACITOR 33pF,50V
C1406		NCFA1AZ-104W	CAPACITOR 0.1μF,10V	C3015		NCBA1HK-102W	CAPACITOR 0.001μF,50V
C1408		NCFA1AZ-104W	CAPACITOR 0.1μF,10V	C3016		NCBA1AK-104W	CAPACITOR 0.1μF,10V
C1409		NCFA1AZ-104W	CAPACITOR 0.1μF,10V	C3017		NCB30JK-105X	CAPACITOR 1μF,6.3V
C1410		NCFA1AZ-104W	CAPACITOR 0.1μF,10V	C3018		NCBA1EK-472W	CAPACITOR 0.0047μF,25V
C1411		NCFA1AZ-104W	CAPACITOR 0.1μF,10V	C3019		NDCA1EJ-271W	CAPACITOR 270pF,25V
C1412		NCFA1AZ-104W	CAPACITOR 0.1μF,10V	C3021		NCBA1AK-104W	CAPACITOR 0.1μF,10V
C1413		NCFA1AZ-104W	CAPACITOR 0.1μF,10V	C3022		NCBA1AK-104W	CAPACITOR 0.1μF,10V
C1414		NCBA1CK-103W	CAPACITOR 0.01μF,16V	C3023		NCBA1AK-104W	CAPACITOR 0.1μF,10V
C1415		NCBA1CK-103W	CAPACITOR 0.01μF,16V	C3024		NDCA1HJ-100W	CAPACITOR 10pF,50V
C1416		NCBA1CK-103W	CAPACITOR 0.01μF,16V	C3025		NDCA1HJ-100W	CAPACITOR 10pF,50V
C1417		NCBA1CK-223W	CAPACITOR 0.022μF,16V	C3026		NCBA1AK-104W	CAPACITOR 0.1μF,10V
C1418		NCBA1CK-223W	CAPACITOR 0.022μF,16V	C3027		NCBA1AK-104W	CAPACITOR 0.1μF,10V
C1419		NCBA1CK-223W	CAPACITOR 0.022μF,16V	C3028		NCBA1AK-104W	CAPACITOR 0.1μF,10V
C1420		NCBA1CK-223W	CAPACITOR 0.022μF,16V	C3029		NCBA1AK-104W	CAPACITOR 0.1μF,10V
C2003		NCBA1CK-103W	CAPACITOR 0.01μF,16V	C3030		NCBA1AK-104W	CAPACITOR 0.1μF,10V
C2004		NCBA1CK-103W	CAPACITOR 0.01μF,16V	C3031		NCBA1AK-104W	CAPACITOR 0.1μF,10V
C2005		NCBA1HK-102W	CAPACITOR 0.001μF,50V	C3032		NDCA1HJ-151W	CAPACITOR 150pF,50V
C2006		NCBA1CK-103W	CAPACITOR 0.01μF,16V	C3034		NCBA1AK-473W	CAPACITOR 0.047μF,10V
C2007		NCBA1CK-103W	CAPACITOR 0.01μF,16V	C3035		NCBA1AK-104W	CAPACITOR 0.1μF,10V
C2008		NCBA1CK-103W	CAPACITOR 0.01μF,16V	C3037		NCB30JK-105X	CAPACITOR 1μF,6.3V
C2009		NCBA1CK-103W	CAPACITOR 0.01μF,16V	C3038		NCBA1AK-104W	CAPACITOR 0.1μF,10V
C2010		NCBA1CK-103W	CAPACITOR 0.01μF,16V	C3039		NBE80JM-106X	T CAPACITOR 10μF,6.3V
C2011		NCBA1CK-103W	CAPACITOR 0.01μF,16V	C3040		NBE80JM-106X	T CAPACITOR 10μF,6.3V
C2012		NCBA1HK-102W	CAPACITOR 0.001μF,50V	C3041		NCBA1AK-104W	CAPACITOR 0.1μF,10V
C2013		NCBA1HK-102W	CAPACITOR 0.001μF,50V	C3042		NCB30JK-105X	CAPACITOR 1μF,6.3V
C2014		NCBA1HK-102W	CAPACITOR 0.001μF,50V	C3044		NBE80JM-106X	T CAPACITOR 10μF,6.3V
C2015		NCBA1HK-102W	CAPACITOR 0.001μF,50V	C3045		NCBA1AK-104W	CAPACITOR 0.1μF,10V
C2016		NCBA1HK-102W	CAPACITOR 0.001μF,50V	C3046		NCB30JK-105X	CAPACITOR 1μF,6.3V
C2017		NCBA1CK-103W	CAPACITOR 0.01μF,16V	C3048		NCBA1AK-104W	CAPACITOR 0.1μF,10V
C2018		NCBA1CK-103W	CAPACITOR 0.01μF,16V	C3052		NCBA1AK-104W	CAPACITOR 0.1μF,10V
C2019		NCBA1CK-103W	CAPACITOR 0.01μF,16V	C3053		NCBA1AK-104W	CAPACITOR 0.1μF,10V
C2020		NCBA1CK-103W	CAPACITOR 0.01μF,16V	C3318		NCBA1CK-103W	CAPACITOR 0.01μF,16V
C2021		NCBA1CK-103W	CAPACITOR 0.01μF,16V	C3319		NCBA1CK-103W	CAPACITOR 0.01μF,16V
C2022		NCBA1CK-103W	CAPACITOR 0.01μF,16V	C3320		NCB21AK-105X	CAPACITOR 1μF,10V

#	△ REF No.	PART No.	PART NAME, DESCRIPTION	#	△ REF No.	PART No.	PART NAME, DESCRIPTION
C3325		NDCA1HJ-9R0W	CAPACITOR 9pF,50V	C4106		NCBA1AK-104W	CAPACITOR 0.1μF,10V
C3326		NDCA1HJ-9R0W	CAPACITOR 9pF,50V	C4107		NCBA1AK-104W	CAPACITOR 0.1μF,10V
C3328		NDCA1HJ-470W	CAPACITOR 47pF,50V	C4108		NBP21VM-105X	T CAPACITOR 1μF,35V
C3329		NCBA1HK-102W	CAPACITOR 0.001μF,50V	C4109		NCF31EZ-104X	CAPACITOR 0.1μF,25V
C3330		NCBA1AK-104W	CAPACITOR 0.1μF,10V	C4201		NBE40JM-476X	T CAPACITOR 47μF,6.3V
C3331		NCBA1HK-102W	CAPACITOR 0.001μF,50V	C4202		NBE20GM-476X	T CAPACITOR 47μF,4.0V
C3332		NDCA1HJ-390W	CAPACITOR 39pF,50V	C4203		NCBA1CK-103W	CAPACITOR 0.01μF,16V
C3701		NCBA1AK-104W	CAPACITOR 0.1μF,10V	C4204		NCBA1AK-104W	CAPACITOR 0.1μF,10V
C3702		NCBA1CK-103W	CAPACITOR 0.01μF,16V	C4205		NBE20GM-476X	T CAPACITOR 47μF,4.0V
C3703		NCBA1CK-103W	CAPACITOR 0.01μF,16V	C4207		NBE90JM-106X	T CAPACITOR 10μF,6.3V
C3704		NBE80JM-106X	T CAPACITOR 10μF,6.3V	C4208		NCBA1AK-104W	CAPACITOR 0.1μF,10V
C3707		NBE20GM-226X	T CAPACITOR 22μF,4.0V	C4209		NCBA1AK-104W	CAPACITOR 0.1μF,10V
C3708		NBE40GM-107X	T CAPACITOR 100μF,4.0V	C4210		NCB30JK-105X	CAPACITOR 1μF,6.3V
C3709		NCBA1CK-103W	CAPACITOR 0.01μF,16V	C4211		NCB30JK-105X	CAPACITOR 1μF,6.3V
C3710		NCFA1AZ-104W	CAPACITOR 0.1μF,10V	C4212		NCBA1CK-123W	CAPACITOR 0.012μF,16V
C3711		NCFA1AZ-104W	CAPACITOR 0.1μF,10V	C4213		NCB30JK-105X	CAPACITOR 1μF,6.3V
C3712		NCBA1CK-103W	CAPACITOR 0.01μF,16V	C4214		NCBA1AK-104W	CAPACITOR 0.1μF,10V
C3713		NCBA1CK-103W	CAPACITOR 0.01μF,16V	C4215		NCB30JK-105X	CAPACITOR 1μF,6.3V
C3714		NBE80JM-106X	T CAPACITOR 10μF,6.3V	C4216		NCB30JK-105X	CAPACITOR 1μF,6.3V
C3715		NCBA1CK-103W	CAPACITOR 0.01μF,16V	C4217		NCB30JK-105X	CAPACITOR 1μF,6.3V
C3716		NCB30JK-105X	CAPACITOR 1μF,6.3V	C4218		NCBA1AK-104W	CAPACITOR 0.1μF,10V
C3721		NBE20JM-226X	T CAPACITOR 22μF,6.3V	C4219		NCBA1AK-104W	CAPACITOR 0.1μF,10V
C3722		NCF31AZ-105X	CAPACITOR 1μF,10V	C4220		NCBA1AK-104W	CAPACITOR 0.1μF,10V
C3723		NBE80JM-106X	T CAPACITOR 10μF,6.3V	C4221		NCBA1CK-103W	CAPACITOR 0.01μF,16V
C3724		NCBA1CK-103W	CAPACITOR 0.01μF,16V	C4222		NCBA1CK-103W	CAPACITOR 0.01μF,16V
C3901		NCBA1AK-104W	CAPACITOR 0.1μF,10V	C4223		NCBA1CK-103W	CAPACITOR 0.01μF,16V
C3902		NCBA1AK-104W	CAPACITOR 0.1μF,10V	C4224		NCBA1CK-103W	CAPACITOR 0.01μF,16V
C3903		NCBA1AK-104W	CAPACITOR 0.1μF,10V	C4225		NCBA1CK-103W	CAPACITOR 0.01μF,16V
C3904		NCBA1AK-104W	CAPACITOR 0.1μF,10V	C4226		NCBA1CK-103W	CAPACITOR 0.01μF,16V
C3905		NCBA1AK-104W	CAPACITOR 0.1μF,10V	C4301		NCB30JK-105X	CAPACITOR 1μF,6.3V
C3906		NCBA1AK-104W	CAPACITOR 0.1μF,10V	C4302		NBE90JM-106X	T CAPACITOR 10μF,6.3V
C3907		NCBA1AK-104W	CAPACITOR 0.1μF,10V	C4303		NCBA1AK-104W	CAPACITOR 0.1μF,10V
C3908		NCBA1AK-104W	CAPACITOR 0.1μF,10V	C4304		NBE90JM-106X	T CAPACITOR 10μF,6.3V
C3909		NCBA1AK-104W	CAPACITOR 0.1μF,10V	C4306		NCB30JK-105X	CAPACITOR 1μF,6.3V
C3910		NCBA1AK-104W	CAPACITOR 0.1μF,10V	C4307		NBE90JM-106X	T CAPACITOR 10μF,6.3V
C3911		NCBA1AK-104W	CAPACITOR 0.1μF,10V	C4308		NCBA1AK-104W	CAPACITOR 0.1μF,10V
C3912		NCBA1AK-104W	CAPACITOR 0.1μF,10V	C4309		NCBA1AK-104W	CAPACITOR 0.1μF,10V
C3913		NCBA1AK-104W	CAPACITOR 0.1μF,10V	C4310		NB40GM-226X	T CAPACITOR 22μF,4.0V
C3914		NCBA1AK-104W	CAPACITOR 0.1μF,10V	C4312		NCBA1AK-104W	CAPACITOR 0.1μF,10V
C3916		NBE80JM-106X	T CAPACITOR 10μF,6.3V	C4313		NCBA1AK-104W	CAPACITOR 0.1μF,10V
C3917		NCBA1AK-104W	CAPACITOR 0.1μF,10V	C4315		NCBA1AK-104W	CAPACITOR 0.1μF,10V
C3919		NCB21CK-105X	CAPACITOR 1μF,16V	C4316		NCBA1AK-104W	CAPACITOR 0.1μF,10V
C3920		NCB21CK-105X	CAPACITOR 1μF,16V	C4317		NCBA1AK-104W	CAPACITOR 0.1μF,10V
C3951		NBE90JM-106X	T CAPACITOR 10μF,6.3V	C4318		NCBA1AK-104W	CAPACITOR 0.1μF,10V
C3952		NCB30JK-105X	CAPACITOR 1μF,6.3V	C4319		NCBA1AK-104W	CAPACITOR 0.1μF,10V
C3954		NCBA1AK-104W	CAPACITOR 0.1μF,10V	C4320		NCBA1AK-104W	CAPACITOR 0.1μF,10V
C3955		NDCA1HJ-3R0W	CAPACITOR 3pF,50V	C4321		NCBA1AK-104W	CAPACITOR 0.1μF,10V
C3956		NDCA1HJ-5R0W	CAPACITOR 5pF,50V	C4322		NCBA1AK-104W	CAPACITOR 0.1μF,10V
C3957		NDCA1HJ-330W	CAPACITOR 33pF,50V	C4323		NBE90JM-106X	T CAPACITOR 10μF,6.3V
C3958		NCB20JM-475X	CAPACITOR 4.7μF,6.3V	C4351		NCBA1AK-104W	CAPACITOR 0.1μF,10V
C3959		NCBA1CK-103W	CAPACITOR 0.01μF,16V	C4352		NCBA1AK-104W	CAPACITOR 0.1μF,10V
C3961		NCBA1HK-102W	CAPACITOR 0.001μF,50V	C4353		NCB30JK-105X	CAPACITOR 1μF,6.3V
C3962		NDCA1HJ-3R0W	CAPACITOR 3pF,50V	C4355		NCB30JK-105X	CAPACITOR 1μF,6.3V
C3963		NDCA1HJ-5R0W	CAPACITOR 5pF,50V	C4357		NCB30JK-105X	CAPACITOR 1μF,6.3V
C3964		NDCA1HJ-330W	CAPACITOR 33pF,50V	C4359		NCB30JK-105X	CAPACITOR 1μF,6.3V
C3965		NCBA1HK-102W	CAPACITOR 0.001μF,50V	C4361		NCBA1AK-104W	CAPACITOR 0.1μF,10V
C3967		NCBA1CK-103W	CAPACITOR 0.01μF,16V	C4362		NCBA1AK-104W	CAPACITOR 0.1μF,10V
C3968		NCBA1CK-103W	CAPACITOR 0.01μF,16V	C4363		NCBA1AK-104W	CAPACITOR 0.1μF,10V
C4101		NCF31EZ-104X	CAPACITOR 0.1μF,25V	C4364		NCBA1AK-104W	CAPACITOR 0.1μF,10V
C4102		NBP41EM-475X	T CAPACITOR 4.7μF,25V	C4365		NBE90JM-106X	T CAPACITOR 10μF,6.3V
C4103		NCF31EZ-104X	CAPACITOR 0.1μF,25V	C4401		NBE90GM-226X	T CAPACITOR 22μF,4.0V
C4104		NCBA1AK-104W	CAPACITOR 0.1μF,10V	C4402		NCBA1CK-103W	CAPACITOR 0.01μF,16V
C4105		NBE41AM-476X	T CAPACITOR 47μF,10V	C4801		NBE21AM-106X	T CAPACITOR 10μF,10V

#	△ REF No.	PART No.	PART NAME, DESCRIPTION	#	△ REF No.	PART No.	PART NAME, DESCRIPTION	
C4802		NCFA1AZ-104W	CAPACITOR	C5221		NCF31EZ-104X	CAPACITOR	0.1μF,25V
C4803		NBE90JM-106X	T CAPACITOR	C5222		NCBA1AK-104W	CAPACITOR	0.1μF,10V
C4804		NCFA1AZ-104W	CAPACITOR	C5223		NBP41EM-475X	T CAPACITOR	4.7μF,25V
C4805		NCFA1AZ-104W	CAPACITOR	C5224		NBE41AM-476X	T CAPACITOR	47μF,10V
C4806		NCFA1AZ-104W	CAPACITOR	C5225		NBE41AM-476X	T CAPACITOR	47μF,10V
C4808		NCB30JK-105X	CAPACITOR	C5227		NCF31EZ-104X	CAPACITOR	0.1μF,25V
C4809		NCFA1AZ-104W	CAPACITOR	C5228		NCBA1AK-104W	CAPACITOR	0.1μF,10V
C4810		NCFA1HZ-103W	CAPACITOR	C5230		NBE41AM-476X	T CAPACITOR	47μF,10V
C4811		NCFA1HZ-103W	CAPACITOR	C5231		NBE41AM-476X	T CAPACITOR	47μF,10V
C4812		NCFA1AZ-104W	CAPACITOR	C5232		NBE41AM-476X	T CAPACITOR	47μF,10V
C4813		NCFA1AZ-104W	CAPACITOR	C6001		NCBA1AK-104W	CAPACITOR	0.1μF,10V
C4814		NCFA1AZ-104W	CAPACITOR	C6002		NCBA1CK-103W	CAPACITOR	0.01μF,16V
C4818		NCFA1AZ-104W	CAPACITOR	C6003		NCBA1AK-104W	CAPACITOR	0.1μF,10V
C4819		NCB30JK-105X	CAPACITOR	C6004		NBE90JM-106X	T CAPACITOR	10μF,6.3V
C4820		NCFA1AZ-104W	CAPACITOR	C6005		NBP21CM-685X	T CAPACITOR	6.8μF,16V
C4821		NCFA1AZ-104W	CAPACITOR	C6006		NCF31AZ-105X	CAPACITOR	1μF,10V
C4851		NBE90JM-106X	T CAPACITOR	C6007		NBE90JM-106X	T CAPACITOR	10μF,6.3V
C4852		NCFA1AZ-104W	CAPACITOR	C6008		NCBA1AK-104W	CAPACITOR	0.1μF,10V
C4853		NBE91AM-335X	T CAPACITOR	C6009		NCBA1CK-103W	CAPACITOR	0.01μF,16V
C4854		NBE21AM-106X	T CAPACITOR	L1001		NQR0265-001X	FERRITE BEAD	
C4855		NCB31CK-104X	CAPACITOR	L1002		NQR0265-001X	FERRITE BEAD	
C4858		NDCA1HJ-330W	CAPACITOR	L1003		NQR0265-001X	FERRITE BEAD	
C4859		NCBA1HK-102W	CAPACITOR	L1201		NQL315K-100X	COIL	10μH
C4860		NCBA1HK-102W	CAPACITOR	L1401		NQR0006-001X	FERRITE BEAD	
C4861		NCBA1HK-102W	CAPACITOR	L1402		NRSA02J-0R0X	MG RESISTOR	0Ω,1/10W
C4862		NCBA1HK-102W	CAPACITOR	L2001		NQR0006-001X	FERRITE BEAD	
C4864		NBE90JM-106X	T CAPACITOR	L3001		NQR0006-001X	FERRITE BEAD	
C4865		NCBA1AK-104W	CAPACITOR	L3002		NQR0006-001X	FERRITE BEAD	
C4901		NBE90JM-106X	T CAPACITOR	L3003		NQR0006-001X	FERRITE BEAD	
C4902		NCFA1AZ-104W	CAPACITOR	L3004		NQR0006-001X	FERRITE BEAD	
C4903		NCFA1AZ-104W	CAPACITOR	L3005		NQR0006-001X	FERRITE BEAD	
C4906		NCB30JK-105X	CAPACITOR	L3006		NQR0006-001X	FERRITE BEAD	
C4907		NCFA1AZ-104W	CAPACITOR	L3009		NQL085J-2R2X	COIL	2.2μH
C4908		NCFA1HZ-103W	CAPACITOR	L3305		NQR0006-001X	FERRITE BEAD	
C4909		NCFA1AZ-104W	CAPACITOR	L3312		NQL085J-120X	COIL	12μH
C4910		NCFA1HZ-103W	CAPACITOR	L3313		NQL085J-100X	COIL	10μH
C4911		NCFA1HZ-103W	CAPACITOR	L3701		NQL302N-100X	COIL	10μH
C4912		NCBA1HK-102W	CAPACITOR	L3901		NQR0006-001X	FERRITE BEAD	
C4913		NCFA1AZ-104W	CAPACITOR	L3902		NQR0305-001X	FERRITE BEAD	
C4914		NCFA1AZ-104W	CAPACITOR	L3903		NQR0305-001X	FERRITE BEAD	
C4915		NCBA1HK-331W	CAPACITOR	L3951		NQL302N-100X	COIL	10μH
C4917		NCBA1HK-331W	CAPACITOR	L3952		NQL085J-6R8X	COIL	6.8μH
C4919		NCB30JK-105X	CAPACITOR	L3953		NQL085J-6R8X	COIL	6.8μH
C4920		NCFA1AZ-104W	CAPACITOR	L4101		NQR0129-002X	FERRITE BEAD	
C4921		NCFA1AZ-104W	CAPACITOR	L4102		NQL045K-100X	COIL	10μH
C4922		NBE21AM-106X	T CAPACITOR	L4103		NQR0129-002X	FERRITE BEAD	
C4923		NCFA1AZ-104W	CAPACITOR	L4104		NQL045K-100X	COIL	10μH
C5001		NCBA1AK-104W	CAPACITOR	L4201		NQR0265-001X	FERRITE BEAD	
C5002		NCBA1AK-104W	CAPACITOR	L4202		NQL402M-100X	COIL	10μH
C5003		NBE40JM-476X	T CAPACITOR	L4203		NQR0265-001X	FERRITE BEAD	
C5004		NCBA1AK-104W	CAPACITOR	L4301		NQR0265-001X	FERRITE BEAD	
C5005		NCBA1AK-104W	CAPACITOR	L4302		NQR0265-001X	FERRITE BEAD	
C5006		NCBA1AK-104W	CAPACITOR	L4303		NQR0265-001X	FERRITE BEAD	
C5007		NCB30JK-105X	CAPACITOR	L4305		NQR0265-001X	FERRITE BEAD	
C5008		NBE90JM-106X	T CAPACITOR	L4306		NQR0129-002X	FERRITE BEAD	
C5009		NCBA1AK-104W	CAPACITOR	L4307		NQR0265-001X	FERRITE BEAD	
C5011		NCBA1AK-104W	CAPACITOR	L4351		NQL402M-100X	COIL	10μH
C5012		NCBA1AK-104W	CAPACITOR	L4401		NQR0006-001X	FERRITE BEAD	
C5013		NCBA1AK-104W	CAPACITOR	L4801		NQL302N-100X	COIL	10μH
C5014		NBM90JM-226X	T CAPACITOR	L4802		NQL302N-100X	COIL	10μH
C5017		NCBA1AK-104W	CAPACITOR	L4851		NQR0129-002X	FERRITE BEAD	
C5018		NCB30JK-105X	CAPACITOR	L4852		NQL315K-100X	COIL	10μH
C5019		NCB30JK-105X	CAPACITOR	L4853		NQL315K-100X	COIL	10μH

#	△ REF No.	PART No.	PART NAME, DESCRIPTION		#	△ REF No.	PART No.	PART NAME, DESCRIPTION	
L4901		NQL315K-100X	COIL	10μH	Q8401		DTA114EE	TRANSISTOR	
L4902		NQL315K-100X	COIL	10μH			or RN2102	TRANSISTOR	
L5001		NQR0129-002X	FERRITE BEAD				or UN9111J	TRANSISTOR	
L5002		NQL045K-100X	COIL	10μH	D8001		RB751V-40-X	SB DIODE	
L5003		NQR0129-002X	FERRITE BEAD		D8401		1SS355	DIODE	
L5004		NQR0129-002X	FERRITE BEAD		R8002		NRSA6AJ-0R0W	MG RESISTOR	0Ω,1/16W
L5005		NQR0129-002X	FERRITE BEAD		R8004		NRSA6AJ-0R0W	MG RESISTOR	0Ω,1/16W
L5201		NQR0129-002X	FERRITE BEAD		R8006		NRSA6AJ-0R0W	MG RESISTOR	0Ω,1/16W
L5202		NQR0129-002X	FERRITE BEAD		R8007		NRSA6AJ-103W	MG RESISTOR	10kΩ,1/16W
L5203		NQL045K-100X	COIL	10μH	R8008		NRSA6AJ-0R0W	MG RESISTOR	0Ω,1/16W
L5204		NQL045K-100X	COIL	10μH	R8011		NRSA6AJ-0R0W	MG RESISTOR	0Ω,1/16W
L5207		NQL402M-100X	COIL	10μH	R8012		NRSA6AJ-103W	MG RESISTOR	10kΩ,1/16W
L5208		NQL402M-100X	COIL	10μH	R8013		NRSA6AJ-101W	MG RESISTOR	100Ω,1/16W
L6001		NQL402M-100X	COIL	10μH	R8014		NRSA6AJ-0R0W	MG RESISTOR	0Ω,1/16W
X1001		NAX0450-001X	C OSCILLATOR		R8015		NRSA6AJ-133W	MG RESISTOR	13kΩ,1/16W
X1002		NAX0267-001X	CRYSTAL RESONATOR		R8017		NRSA6AJ-0R0W	MG RESISTOR	0Ω,1/16W
X3002		NAX0480-001X	CRYSTAL RESONATOR		R8020		NRSA6AJ-0R0W	MG RESISTOR	0Ω,1/16W
X3301		NAX0169-001X	CRYSTAL RESONATOR		R8021		NRSA6AJ-0R0W	MG RESISTOR	0Ω,1/16W
X4301		NAX0332-001X	CXO		R8022		NRSA6AJ-0R0W	MG RESISTOR	0Ω,1/16W
WR1		WJV0042-001A	E-PRIMARY WIRE,TL2001-TL4202		R8023		NRSA6AJ-0R0W	MG RESISTOR	0Ω,1/16W
FFC101		WJT0040-001A	E-CARD WIRE,CN113-EJECT CN2422		R8024		NRSA6AJ-0R0W	MG RESISTOR	0Ω,1/16W
J602		NNZ0041-001X	D CONNECTOR		R8025		NRSA6AJ-0R0W	MG RESISTOR	0Ω,1/16W
CN101		QGA1002F1-02X	CONNECTOR		R8026		NRSA6AJ-0R0W	MG RESISTOR	0Ω,1/16W
CN102		QGF0513F1-20X	FPC CONNECTOR		R8027		NRSA6AJ-0R0W	MG RESISTOR	0Ω,1/16W
CN103		QGA1001F1-02X	CONNECTOR		R8028		NRSA6AJ-0R0W	MG RESISTOR	0Ω,1/16W
CN104		QGF0301F1-39X	FPC CONNECTOR		R8029		NRSA6AJ-0R0W	MG RESISTOR	0Ω,1/16W
CN105		QGB0403M1-C0X	CONNECTOR		R8030		NRSA6AJ-103W	MG RESISTOR	10kΩ,1/16W
CN106		QGB0404M1-80X	CONNECTOR		R8031		NRSA6AJ-0R0W	MG RESISTOR	0Ω,1/16W
CN107		QGB0509M1-30X	CONNECTOR		R8032		NRSA6AJ-0R0W	MG RESISTOR	0Ω,1/16W
CN108		QGB0512L2-50X	CONNECTOR		R8033		NRSA6AJ-0R0W	MG RESISTOR	0Ω,1/16W
CN109		QGB0507L1-80X	CONNECTOR		R8034		NRSA6AJ-0R0W	MG RESISTOR	0Ω,1/16W
CN110		QGF0517F2-22X	FPC CONNECTOR		R8035		NRSA6AJ-0R0W	MG RESISTOR	0Ω,1/16W
CN111		QGF0517F2-24X	FPC CONNECTOR		R8036		NRSA6AJ-0R0W	MG RESISTOR	0Ω,1/16W
CN112		QGB0402J1-80X	CONNECTOR		R8037		NRSA6AJ-0R0W	MG RESISTOR	0Ω,1/16W
CN113		QGF0501F1-13X	FPC CONNECTOR		R8038		NRSA6AJ-473W	MG RESISTOR	47kΩ,1/16W
OT1		LY30029-0H1A	SPACER(A)		R8039		NRSA6AJ-0R0W	MG RESISTOR	0Ω,1/16W
OT2		LY30016-0P9A	SPACER-A		R8040		NRSA6AJ-105W	MG RESISTOR	1MΩ,1/16W
					R8041		NRSA6AJ-103W	MG RESISTOR	10kΩ,1/16W
					R8042		NRSA6AJ-0R0W	MG RESISTOR	0Ω,1/16W
					R8043		NRSA6AJ-0R0W	MG RESISTOR	0Ω,1/16W
					R8044		NRSA6AJ-0R0W	MG RESISTOR	0Ω,1/16W
					R8045		NRSA6AJ-103W	MG RESISTOR	10kΩ,1/16W
					R8046		NRSA6AJ-103W	MG RESISTOR	10kΩ,1/16W
					R8047		NRSA6AJ-101W	MG RESISTOR	100Ω,1/16W
					R8049		NRSA6AJ-0R0W	MG RESISTOR	0Ω,1/16W
					R8050		NRSA6AJ-0R0W	MG RESISTOR	0Ω,1/16W
					R8051		NRSA6AJ-473W	MG RESISTOR	47kΩ,1/16W
					R8052		NRSA6AJ-101W	MG RESISTOR	100Ω,1/16W
					R8053		NRSA6AJ-103W	MG RESISTOR	10kΩ,1/16W
					R8054		NRSA6AJ-0R0W	MG RESISTOR	0Ω,1/16W
					R8055		NRSA6AJ-0R0W	MG RESISTOR	0Ω,1/16W
					R8056		NRSA6AJ-0R0W	MG RESISTOR	0Ω,1/16W
					R8057		NRSA6AJ-0R0W	MG RESISTOR	0Ω,1/16W
					R8058		NRSA6AJ-333W	MG RESISTOR	33kΩ,1/16W
					R8059		NRSA6AJ-333W	MG RESISTOR	33kΩ,1/16W
					R8060		NRSA6AJ-333W	MG RESISTOR	33kΩ,1/16W
					R8061		NRSA6AJ-333W	MG RESISTOR	33kΩ,1/16W
					R8062		NRSA6AJ-333W	MG RESISTOR	33kΩ,1/16W
					R8063		NRSA6AJ-333W	MG RESISTOR	33kΩ,1/16W
					R8064		NRSA6AJ-333W	MG RESISTOR	33kΩ,1/16W
					R8065		NRSA6AJ-333W	MG RESISTOR	33kΩ,1/16W
					R8066		NRSA6AJ-333W	MG RESISTOR	33kΩ,1/16W
					R8067		NRSA6AJ-333W	MG RESISTOR	33kΩ,1/16W

DSC BOARD ASSEMBLY <02>

PW	YB10302B-02	DSC BOARD ASSY
IC8001	JCY0121-4	IC
IC8003	M32310D5WG	IC
IC8004	MBV800TA10PTA17	IC(MICRO C ROM)
	or MBV800TA12PTA17	IC(MICRO C ROM)
	or MBV800TA90PTA17	IC(MICRO C ROM)
	or 39VF800A7CEKA02	IC(MICRO C ROM)
	or 39VF800A9CEKA02	IC(MICRO C ROM)
IC8006	MM1385NN	IC
IC8007	MM1385EN	IC
IC8008	TC7WHU04FU	IC
IC8009	TC7WH34FK	IC
IC8201	JCY0145-2	IC
IC8202	MM1385GN	IC
IC8203	HY57653220BTC10	IC
IC8204	K4S641632D-TC1H	IC
IC8401	ML60851CLB	IC
	or ML60851DLB	IC
IC8402	S-80842ANNP-W	IC

#	△ REF No.	PART No.	PART NAME, DESCRIPTION	#	△ REF No.	PART No.	PART NAME, DESCRIPTION
R8068		NRSA6AJ-333W	MG RESISTOR 33kΩ,1/16W	C8011		NCB30JK-105X	CAPACITOR 1μF,6.3V
R8069		NRSA6AJ-333W	MG RESISTOR 33kΩ,1/16W	C8017		NCBA1AK-104W	CAPACITOR 0.1μF,10V
R8070		NRSA6AJ-333W	MG RESISTOR 33kΩ,1/16W	C8020		NBE90JM-106X	T CAPACITOR 10μF,6.3V
R8071		NRSA6AJ-333W	MG RESISTOR 33kΩ,1/16W	C8021		NCBA1CK-103W	CAPACITOR 0.01μF,16V
R8072		NRSA6AJ-333W	MG RESISTOR 33kΩ,1/16W	C8022		NCBA1CK-103W	CAPACITOR 0.01μF,16V
R8073		NRSA6AJ-333W	MG RESISTOR 33kΩ,1/16W	C8023		NCBA1CK-103W	CAPACITOR 0.01μF,16V
R8074		NRSA6AJ-0R0W	MG RESISTOR 0Ω,1/16W	C8024		NCBA1CK-103W	CAPACITOR 0.01μF,16V
R8075		NRSA6AJ-0R0W	MG RESISTOR 0Ω,1/16W	C8025		NCBA1CK-103W	CAPACITOR 0.01μF,16V
R8076		NRSA6AJ-0R0W	MG RESISTOR 0Ω,1/16W	C8026		NCBA1CK-103W	CAPACITOR 0.01μF,16V
R8077		NRSA6AJ-0R0W	MG RESISTOR 0Ω,1/16W	C8027		NCBA1CK-103W	CAPACITOR 0.01μF,16V
R8078		NRSA6AJ-0R0W	MG RESISTOR 0Ω,1/16W	C8028		NCBA1CK-103W	CAPACITOR 0.01μF,16V
R8079		NRSA6AJ-0R0W	MG RESISTOR 0Ω,1/16W	C8029		NCBA1CK-103W	CAPACITOR 0.01μF,16V
R8080		NRSA6AJ-0R0W	MG RESISTOR 0Ω,1/16W	C8030		NCBA1CK-103W	CAPACITOR 0.01μF,16V
R8081		NRSA6AJ-0R0W	MG RESISTOR 0Ω,1/16W	C8031		NCBA1CK-103W	CAPACITOR 0.01μF,16V
R8082		NRSA6AJ-0R0W	MG RESISTOR 0Ω,1/16W	C8032		NCBA1CK-103W	CAPACITOR 0.01μF,16V
R8083		NRSA6AJ-0R0W	MG RESISTOR 0Ω,1/16W	C8033		NCBA1CK-103W	CAPACITOR 0.01μF,16V
R8084		NRSA6AJ-0R0W	MG RESISTOR 0Ω,1/16W	C8034		NCBA1CK-103W	CAPACITOR 0.01μF,16V
R8086		NRSA6AJ-103W	MG RESISTOR 10kΩ,1/16W	C8035		NCBA1CK-103W	CAPACITOR 0.01μF,16V
R8087		NRSA6AJ-0R0W	MG RESISTOR 0Ω,1/16W	C8036		NCBA1CK-103W	CAPACITOR 0.01μF,16V
R8221		NRSA6AJ-0R0W	MG RESISTOR 0Ω,1/16W	C8037		NCBA1CK-103W	CAPACITOR 0.01μF,16V
R8222		NRSA6AJ-0R0W	MG RESISTOR 0Ω,1/16W	C8038		NCBA1CK-103W	CAPACITOR 0.01μF,16V
R8223		NRSA6AJ-0R0W	MG RESISTOR 0Ω,1/16W	C8039		NCBA1CK-103W	CAPACITOR 0.01μF,16V
R8224		NRSA6AJ-0R0W	MG RESISTOR 0Ω,1/16W	C8040		NCBA1CK-103W	CAPACITOR 0.01μF,16V
R8225		NRSA6AJ-0R0W	MG RESISTOR 0Ω,1/16W	C8041		NCBA1CK-103W	CAPACITOR 0.01μF,16V
R8226		NRSA6AJ-0R0W	MG RESISTOR 0Ω,1/16W	C8042		NCBA1CK-103W	CAPACITOR 0.01μF,16V
R8227		NRSA6AJ-0R0W	MG RESISTOR 0Ω,1/16W	C8043		NCBA1CK-103W	CAPACITOR 0.01μF,16V
R8228		NRSA6AJ-103W	MG RESISTOR 10kΩ,1/16W	C8044		NBE80GM-226X	T CAPACITOR 22μF,4.0V
R8229		NRSA6AJ-273W	MG RESISTOR 27kΩ,1/16W	C8045		NBE80GM-226X	T CAPACITOR 22μF,4.0V
R8230		NRSA6AJ-0R0W	MG RESISTOR 0Ω,1/16W	C8046		NBE90JM-106X	T CAPACITOR 10μF,6.3V
R8231		NRSA6AJ-0R0W	MG RESISTOR 0Ω,1/16W	C8048		NBE80GM-226X	T CAPACITOR 22μF,4.0V
R8235		NRSA6AJ-0R0W	MG RESISTOR 0Ω,1/16W	C8049		NCBA1CK-103W	CAPACITOR 0.01μF,16V
R8238		NRSA6AJ-0R0W	MG RESISTOR 0Ω,1/16W	C8050		NCBA1CK-103W	CAPACITOR 0.01μF,16V
R8239		NRSA6AJ-0R0W	MG RESISTOR 0Ω,1/16W	C8051		NBE80GM-226X	T CAPACITOR 22μF,4.0V
R8248		NRSA6AJ-0R0W	MG RESISTOR 0Ω,1/16W	C8052		NCBA1CK-103W	CAPACITOR 0.01μF,16V
R8249		NRSA6AJ-0R0W	MG RESISTOR 0Ω,1/16W	C8054		NCB31HK-392X	CAPACITOR 0.0039μF,50V
R8401		NRSA6AJ-105W	MG RESISTOR 1MΩ,1/16W	C8056		NCBA1CK-103W	CAPACITOR 0.01μF,16V
R8402		NRS181J-220X	MG RESISTOR 22Ω,1/8W	C8057		NCBA1CK-103W	CAPACITOR 0.01μF,16V
R8403		NRS181J-220X	MG RESISTOR 22Ω,1/8W	C8058		NCBA1AK-104W	CAPACITOR 0.1μF,10V
R8404		NRSA6AJ-152W	MG RESISTOR 1.5kΩ,1/16W	C8059		NCBA1CK-103W	CAPACITOR 0.01μF,16V
R8405		NRSA6AJ-105W	MG RESISTOR 1MΩ,1/16W	C8060		NCBA1CK-103W	CAPACITOR 0.01μF,16V
R8406		NRSA6AJ-153W	MG RESISTOR 15kΩ,1/16W	C8062		NCB30JK-105X	CAPACITOR 1μF,6.3V
R8407		NRSA6AJ-0R0W	MG RESISTOR 0Ω,1/16W	C8063		NBE80GM-226X	T CAPACITOR 22μF,4.0V
RA8001		NRZ0034-100W	NETWORK RESISTOR 10Ω	C8064		NBE80GM-226X	T CAPACITOR 22μF,4.0V
RA8002		NRZ0034-100W	NETWORK RESISTOR 10Ω	C8065		NBE80GM-226X	T CAPACITOR 22μF,4.0V
RA8003		NRZ0034-100W	NETWORK RESISTOR 10Ω	C8201		NCBA1AK-104W	CAPACITOR 0.1μF,10V
RA8004		NRZ0034-100W	NETWORK RESISTOR 10Ω	C8202		NBE90JM-106X	T CAPACITOR 10μF,6.3V
RA8201		NRZ0034-0R0W	NETWORK RESISTOR 0Ω	C8203		NCBA1AK-104W	CAPACITOR 0.1μF,10V
RA8202		NRZ0034-0R0W	NETWORK RESISTOR 0Ω	C8204		NBE90JM-106X	T CAPACITOR 10μF,6.3V
RA8203		NRZ0034-0R0W	NETWORK RESISTOR 0Ω	C8205		NCBA1AK-104W	CAPACITOR 0.1μF,10V
RA8204		NRZ0034-0R0W	NETWORK RESISTOR 0Ω	C8206		NCBA1AK-104W	CAPACITOR 0.1μF,10V
RA8222		NRZ0034-0R0W	NETWORK RESISTOR 0Ω	C8207		NCBA1AK-104W	CAPACITOR 0.1μF,10V
RA8223		NRZ0034-0R0W	NETWORK RESISTOR 0Ω	C8208		NCBA1AK-104W	CAPACITOR 0.1μF,10V
RA8224		NRZ0034-0R0W	NETWORK RESISTOR 0Ω	C8209		NCBA1AK-104W	CAPACITOR 0.1μF,10V
RA8225		NRZ0034-0R0W	NETWORK RESISTOR 0Ω	C8210		NCBA1AK-104W	CAPACITOR 0.1μF,10V
RA8401		NRZ0034-221W	NETWORK RESISTOR 220Ω	C8211		NCBA1AK-104W	CAPACITOR 0.1μF,10V
RA8402		NRZ0034-221W	NETWORK RESISTOR 220Ω	C8212		NCBA1AK-104W	CAPACITOR 0.1μF,10V
RA8403		NRZ0034-0R0W	NETWORK RESISTOR 0Ω	C8213		NCBA1AK-104W	CAPACITOR 0.1μF,10V
RA8404		NRZ0034-0R0W	NETWORK RESISTOR 0Ω	C8214		NCBA1AK-104W	CAPACITOR 0.1μF,10V
C8006		NCBA1AK-104W	CAPACITOR 0.1μF,10V	C8215		NCBA1AK-104W	CAPACITOR 0.1μF,10V
C8007		NBE90JM-106X	T CAPACITOR 10μF,6.3V	C8216		NCBA1AK-473W	CAPACITOR 0.047μF,10V
C8008		NCB30JK-105X	CAPACITOR 1μF,6.3V	C8217		NCBA1AK-104W	CAPACITOR 0.1μF,10V
C8009		NCBA1AK-104W	CAPACITOR 0.1μF,10V	C8218		NCBA1AK-104W	CAPACITOR 0.1μF,10V
C8010		NBE90JM-106X	T CAPACITOR 10μF,6.3V	C8219		NCB30JK-105X	CAPACITOR 1μF,6.3V

#	△	REF No.	PART No.	PART NAME, DESCRIPTION	#	△	REF No.	PART No.	PART NAME, DESCRIPTION	
C8220			NBE90JM-106X	T CAPACITOR	R1611			NRSA6AJ-471W	MG RESISTOR	470Ω,1/16W
C8221			NCBA1AK-104W	CAPACITOR	R1612			NRSA6AJ-104W	MG RESISTOR	100kΩ,1/16W
C8222			NBE90JM-106X	T CAPACITOR	R1613			NRSA6AJ-102W	MG RESISTOR	1kΩ,1/16W
C8223			NCBA1AK-104W	CAPACITOR	R1614			NRSA6AJ-682W	MG RESISTOR	6.8kΩ,1/16W
C8224			NBE90JM-106X	T CAPACITOR	R1615			NRSA6AJ-103W	MG RESISTOR	10kΩ,1/16W
C8225			NCBA1AK-104W	CAPACITOR	R1616			NRSA6AJ-681W	MG RESISTOR	680Ω,1/16W
C8226			NCBA1AK-104W	CAPACITOR	R1617			NRSA6AJ-224W	MG RESISTOR	220kΩ,1/16W
C8227			NCBA1AK-104W	CAPACITOR	R1618			NRSA6AJ-154W	MG RESISTOR	150kΩ,1/16W
C8228			NBE90JM-106X	T CAPACITOR	R1619			NRSA6AJ-223W	MG RESISTOR	22kΩ,1/16W
C8229			NCBA1AK-104W	CAPACITOR	R1620			NRSA6AJ-103W	MG RESISTOR	10kΩ,1/16W
C8230			NCBA1AK-104W	CAPACITOR	R1621			NRSA6AJ-103W	MG RESISTOR	10kΩ,1/16W
C8231			NCBA1AK-104W	CAPACITOR	R1622			NRSA6AJ-103W	MG RESISTOR	10kΩ,1/16W
C8401			NBE90JM-106X	T CAPACITOR	R1624			NRVA6AD-123W	CMF RESISTOR	12kΩ,1/16W
C8402			NCBA1AK-104W	CAPACITOR	R1625			NRSA6AJ-0R0W	MG RESISTOR	0Ω,1/16W
C8403			NCBA1AK-104W	CAPACITOR	R1626			NRSA6AJ-0R0W	MG RESISTOR	0Ω,1/16W
C8404			NCBA1AK-104W	CAPACITOR	R1627			NRSA6AJ-0R0W	MG RESISTOR	0Ω,1/16W
L8001			NQR0129-002X	FERRITE BEAD	R1628			NRVA6AD-361W	CMF RESISTOR	360Ω,1/16W
L8002			NQR0129-002X	FERRITE BEAD	R1629			NRSA6AJ-564W	MG RESISTOR	560kΩ,1/16W
L8003			NQR0129-002X	FERRITE BEAD	R1630			NRSA6AJ-0R0W	MG RESISTOR	0Ω,1/16W
L8005			NQR0129-002X	FERRITE BEAD	R1631			NRSA6AJ-0R0W	MG RESISTOR	0Ω,1/16W
L8006			NQR0129-002X	FERRITE BEAD	R1632			NRSA6AJ-0R0W	MG RESISTOR	0Ω,1/16W
L8007			NQR0129-002X	FERRITE BEAD	R1633			NRSA6AJ-0R0W	MG RESISTOR	0Ω,1/16W
L8008			NQR0129-002X	FERRITE BEAD	R1634			NRSA6AJ-0R0W	MG RESISTOR	0Ω,1/16W
L8010			NQR0129-002X	FERRITE BEAD	R1635			NRSA6AJ-472W	MG RESISTOR	4.7kΩ,1/16W
L8201			NQR0265-001X	FERRITE BEAD	R1636			NRSA6AJ-123W	MG RESISTOR	12kΩ,1/16W
L8202			NQR0265-001X	FERRITE BEAD	R1637			NRSA6AJ-124W	MG RESISTOR	120kΩ,1/16W
L8203			NQR0265-001X	FERRITE BEAD	R1642			NRSA6AJ-0R0W	MG RESISTOR	0Ω,1/16W
L8204			NQR0265-001X	FERRITE BEAD	R1644			NRSA6AJ-0R0W	MG RESISTOR	0Ω,1/16W
L8205			NQR0265-001X	FERRITE BEAD	R1701			NRSA6AJ-823W	MG RESISTOR	82kΩ,1/16W
L8206			NQR0265-001X	FERRITE BEAD	R1702			NRSA6AJ-222W	MG RESISTOR	2.2kΩ,1/16W
L8402			NQR0265-001X	FERRITE BEAD	R1703			NRSA6AJ-222W	MG RESISTOR	2.2kΩ,1/16W
X8002			NAX0354-001X	RESONATOR	R1704			NRSA6AJ-222W	MG RESISTOR	2.2kΩ,1/16W
X8401			NAX0398-001X	C OSCILLATOR	R1705			NRSA6AJ-222W	MG RESISTOR	2.2kΩ,1/16W
HS1			LY40035-001A	SHIELD SHEET	R1706			NRSA6AJ-823W	MG RESISTOR	82kΩ,1/16W
WR1			QUB450-03A2VL	SIN TWIST WIRE,LUG WIRE	R1707			NRSA6AJ-103W	MG RESISTOR	10kΩ,1/16W
CN8401			QGB0403L1-C0X	CONNECTOR	R1708			NRSA6AJ-124W	MG RESISTOR	120kΩ,1/16W
CN8402			QGF0517F1-20X	FPC CONNECTOR	R1709			NRSA6AJ-103W	MG RESISTOR	10kΩ,1/16W
OT1			LY30029-0D5A	SPACER(A)	R1710			NRSA6AJ-124W	MG RESISTOR	120kΩ,1/16W
					R1711			NRSA6AJ-102W	MG RESISTOR	1kΩ,1/16W
					R1712			NRSA6AJ-102W	MG RESISTOR	1kΩ,1/16W
					R1714			NRSA6AJ-0R0W	MG RESISTOR	0Ω,1/16W
					R1715			NRSA6AJ-0R0W	MG RESISTOR	0Ω,1/16W
					R3501			NRSA6AJ-471W	MG RESISTOR	470Ω,1/16W
					R3502			NRSA6AJ-104W	MG RESISTOR	100kΩ,1/16W
					R3503			NRSA6AJ-102W	MG RESISTOR	1kΩ,1/16W
					R3504			NRVA6AD-241W	CMF RESISTOR	240Ω,1/16W
					R3505			NRVA6AD-241W	CMF RESISTOR	240Ω,1/16W
					R3506			NRVA6AD-241W	CMF RESISTOR	240Ω,1/16W
					R3507			NRVA6AD-241W	CMF RESISTOR	240Ω,1/16W
					R3508			NRSA6AJ-223W	MG RESISTOR	22kΩ,1/16W
					R3510			NRSA6AJ-0R0W	MG RESISTOR	0Ω,1/16W
					R3513			NRSA6AJ-393W	MG RESISTOR	39kΩ,1/16W
					R3514			NRSA6AJ-682W	MG RESISTOR	6.8kΩ,1/16W
					R3515			NRSA6AJ-0R0W	MG RESISTOR	0Ω,1/16W
					R3517			NRSA6AJ-0R0W	MG RESISTOR	0Ω,1/16W
					R3518			NRSA6AJ-560W	MG RESISTOR	56Ω,1/16W
					C1601			NCBA1CK-103W	CAPACITOR	0.01μF,16V
					C1602			NBE90JM-106X	T CAPACITOR	10μF,6.3V
					C1603			NBE21AM-106X	T CAPACITOR	10μF,10V
					C1605			NCBA1AK-104W	CAPACITOR	0.1μF,10V
					C1606			NCBA1HK-152W	CAPACITOR	0.0015μF,50V
					C1607			NCBA1AK-473W	CAPACITOR	0.047μF,10V
					C1614			NBE21AM-106X	T CAPACITOR	10μF,10V

PRE/MDA BOARD ASSEMBLY <03>

PW	YB10303A-03	PRE/MDA BOARD ASSY	
IC1601	BD6630KV	IC	
IC1701	TA75W01FU	IC	
IC1702	TA75W393FU	IC	
IC3501	JCY0132	IC	
IC3502	SN74AHC1G04K	IC	
Q1601	UMC3N	TRANSISTOR	
D1602	DAP222	DIODE	
D1603	DAP222	DIODE	
D1604	DAP222	DIODE	
R1601	NRSA6AJ-681W	MG RESISTOR	680Ω,1/16W
R1602	NRSA6AJ-124W	MG RESISTOR	120kΩ,1/16W
R1603	NRSA6AJ-472W	MG RESISTOR	4.7kΩ,1/16W
R1604	NRSA6AJ-104W	MG RESISTOR	100kΩ,1/16W
R1605	NRV142F-R22X	CMF RESISTOR	0.22Ω,1/4W
R1606	NRSA6AJ-103W	MG RESISTOR	10kΩ,1/16W
R1609	NRV142F-R33X	CMF RESISTOR	0.33Ω,1/4W
R1610	NRSA6AJ-471W	MG RESISTOR	470Ω,1/16W

#	△ REF No.	PART No.	PART NAME, DESCRIPTION
C1618		NCBA1HK-222W	CAPACITOR 0.0022μF,50V
C1619		NCBA1HK-222W	CAPACITOR 0.0022μF,50V
C1620		NCBA1HK-222W	CAPACITOR 0.0022μF,50V
C1621		NCB21AK-105X	CAPACITOR 1μF,10V
C1622		NCBA1CK-223W	CAPACITOR 0.022μF,16V
C1623		NCBA1AK-473W	CAPACITOR 0.047μF,10V
C1624		NCB31EK-103X	CAPACITOR 0.01μF,25V
C1625		NCBA1AK-473W	CAPACITOR 0.047μF,10V
C1626		NCBA1HK-331W	CAPACITOR 330pF,50V
C1627		NCBA1CK-822W	CAPACITOR 0.0082μF,16V
C1628		NCB21CK-224X	CAPACITOR 0.22μF,16V
C1632		NBE21AM-106X	T CAPACITOR 10μF,10V
C1633		NCF21CZ-684X	CAPACITOR 0.68μF,16V
C1635		NCBA1AK-104W	CAPACITOR 0.1μF,10V
C1641		NCB31AK-474X	CAPACITOR 0.47μF,10V
C1701		NCBA1AK-104W	CAPACITOR 0.1μF,10V
C1702		NCBA1AK-104W	CAPACITOR 0.1μF,10V
C3501		NCBA1CK-223W	CAPACITOR 0.022μF,16V
C3502		NCBA1AK-473W	CAPACITOR 0.047μF,10V
C3503		NCBA1AK-104W	CAPACITOR 0.1μF,10V
C3504		NBE20JM-106X	T CAPACITOR 10μF,6.3V
C3505		NCBA1AK-104W	CAPACITOR 0.1μF,10V
C3506		NCBA1AK-104W	CAPACITOR 0.1μF,10V
C3507		NCBA1AK-104W	CAPACITOR 0.1μF,10V
C3508		NBE20JM-106X	T CAPACITOR 10μF,6.3V
C3509		NCBA1AK-104W	CAPACITOR 0.1μF,10V
C3510		NBE20JM-106X	T CAPACITOR 10μF,6.3V
C3511		NCBA1AK-104W	CAPACITOR 0.1μF,10V
C3512		NCBA1AK-104W	CAPACITOR 0.1μF,10V
C3513		NBE20JM-106X	T CAPACITOR 10μF,6.3V
C3514		NCBA1CK-103W	CAPACITOR 0.01μF,16V
C3516		NCBA1AK-104W	CAPACITOR 0.1μF,10V
C3517		NDCA1EJ-221W	CAPACITOR 220pF,25V
C3519		NCBA1AK-104W	CAPACITOR 0.1μF,10V
C3520		NBE20JM-106X	T CAPACITOR 10μF,6.3V
C3522		NCBA1AK-473W	CAPACITOR 0.047μF,10V
C3523		NCBA1AK-473W	CAPACITOR 0.047μF,10V
C3524		NCBA1AK-473W	CAPACITOR 0.047μF,10V
C3525		NCBA1AK-104W	CAPACITOR 0.1μF,10V
C3526		NCBA1AK-104W	CAPACITOR 0.1μF,10V
C3527		NCBA1HK-102W	CAPACITOR 0.001μF,50V
C3528		NCBA1AK-104W	CAPACITOR 0.1μF,10V
C3529		NCBA1AK-104W	CAPACITOR 0.1μF,10V
C3530		NBE90JM-475X	T CAPACITOR 4.7μF,6.3V
C3531		NCBA1AK-104W	CAPACITOR 0.1μF,10V
C3532		NCBA1AK-104W	CAPACITOR 0.1μF,10V
C3533		NBE90JM-475X	T CAPACITOR 4.7μF,6.3V
L1601		NQL315M-1R0X	COIL 1.0μH
L3501		NQL302N-100X	COIL 10μH
L3502		NQL302N-100X	COIL 10μH
L3503		NQL302N-100X	COIL 10μH
L3504		NQR0305-001X	FERRITE BEAD
L3505		NQL302N-100X	COIL 10μH
CN401		QGB0404L1-80X	CONNECTOR
CN402		QGF0517F1-08X	FPC CONNECTOR
CN403		QGF0517F2-06X	FPC CONNECTOR
CN404		QGF0517F1-11X	FPC CONNECTOR
CN405		QGF0517F1-18X	FPC CONNECTOR
CN406		QGF0517F2-16X	FPC CONNECTOR
CN407		QGF0517F1-06X	FPC CONNECTOR
OT1		LY30029-0J4A	SPACER(A)
OT2		LY30029-0J5A	SPACER(A)
OT3		LY43138-001A	SHEET(MDA)
SD1		LY32011-001A	SHIELD CASE(PR)

#	△ REF No.	PART No.	PART NAME, DESCRIPTION
***** AUDIO BOARD ASSEMBLY <04> *****			
		PW1	YB10304A1-03 AUDIO BOARD ASSY
	IC1101	TA75W01FU	IC
	IC2201	AK4560AVQ	IC
	Q1151	RPM-22PB	PHOTO TRANSISTOR
	Q2202	2SC4617/QR/-X	TRANSISTOR
	Q2203	2SD1626	TRANSISTOR
	Q2601	2SC5585	TRANSISTOR
	Q2602	2SC5585	TRANSISTOR
	Q2603	2SA1774/QR/-X	TRANSISTOR
	Q2604	2SA1774/QR/-X	TRANSISTOR
	Q2605	DTA124EE	TRANSISTOR
		or RN2103	TRANSISTOR
		or UN9112J	TRANSISTOR
	Q2701	2SC4617/QR/-X	TRANSISTOR
	Q2702	2SC4617/QR/-X	TRANSISTOR
	Q2703	2SC5585	TRANSISTOR
	Q2704	2SC5585	TRANSISTOR
	Q2901	2SB1121/TU/-X	TRANSISTOR
		or 2SB1121/ST/-X	TRANSISTOR
	Q2902	2SC4617/QR/-X	TRANSISTOR
	Q2903	DTC144EE	TRANSISTOR
		or PDTC144EE	TRANSISTOR
		or UN9213J	TRANSISTOR
		or RN1104	TRANSISTOR
	Q2904	DTC144EE	TRANSISTOR
		or PDTC144EE	TRANSISTOR
		or UN9213J	TRANSISTOR
		or RN1104	TRANSISTOR
	Q2905	UMH6N	TRANSISTOR
	D2706	DAP222	DIODE
	D2901	EMZ6.8N	ZENER DIODE
	D2902	EMZ6.8N	ZENER DIODE
	D2903	EMZ6.8N	ZENER DIODE
	R1101	NRSA6AJ-333W	MG RESISTOR 33kΩ,1/16W
	R1102	NRSA6AJ-472W	MG RESISTOR 4.7kΩ,1/16W
	R1104	NRSA6AJ-105W	MG RESISTOR 1MΩ,1/16W
	R1106	NRSA6AJ-105W	MG RESISTOR 1MΩ,1/16W
	R1107	NRSA6AJ-103W	MG RESISTOR 10kΩ,1/16W
	R1108	NRSA6AJ-472W	MG RESISTOR 4.7kΩ,1/16W
	R1109	NRSA6AJ-103W	MG RESISTOR 10kΩ,1/16W
	R1110	NRSA63J-0R0X	MG RESISTOR 0Ω,1/16W
	R1111	NRSA63J-0R0X	MG RESISTOR 0Ω,1/16W
	R1112	NRSA63J-0R0X	MG RESISTOR 0Ω,1/16W
	R1113	NRSA63J-0R0X	MG RESISTOR 0Ω,1/16W
	R1151	NRSA63J-302X	MG RESISTOR 3kΩ,1/16W
	R2201	NRSA6AJ-224W	MG RESISTOR 220kΩ,1/16W
	R2202	NRSA6AJ-183W	MG RESISTOR 18kΩ,1/16W
	R2203	NRSA6AJ-104W	MG RESISTOR 100kΩ,1/16W
	R2204	NRSA6AJ-0R0W	MG RESISTOR 0Ω,1/16W
	R2206	NRSA6AJ-102W	MG RESISTOR 1kΩ,1/16W
	R2207	NRSA6AJ-472W	MG RESISTOR 4.7kΩ,1/16W
	R2208	NRSA6AJ-820W	MG RESISTOR 82Ω,1/16W
	R2209	NRSA6AJ-820W	MG RESISTOR 82Ω,1/16W
	R2210	NRSA6AJ-820W	MG RESISTOR 82Ω,1/16W
	R2211	NRSA6AJ-100W	MG RESISTOR 10Ω,1/16W
	R2212	NRSA6AJ-0R0W	MG RESISTOR 0Ω,1/16W
	R2216	NRSA6AJ-2R7W	MG RESISTOR 2.7Ω,1/16W
	R2217	NRSA6AJ-2R7W	MG RESISTOR 2.7Ω,1/16W
	R2218	NRSA6AJ-0R0W	MG RESISTOR 0Ω,1/16W

#	△ REF No.	PART No.	PART NAME, DESCRIPTION	#	△ REF No.	PART No.	PART NAME, DESCRIPTION	
R2219		NRSA6AJ-123W	MG RESISTOR	12kΩ,1/16W	R2909	NRSA6AJ-472W	MG RESISTOR	4.7kΩ,1/16W
R2220		NRSA6AJ-223W	MG RESISTOR	22kΩ,1/16W	R2910	NRSA6AJ-391W	MG RESISTOR	390Ω,1/16W
R2601		NRSA6AJ-103W	MG RESISTOR	10kΩ,1/16W	R2911	NRSA6AJ-104W	MG RESISTOR	100kΩ,1/16W
R2602		NRSA6AJ-103W	MG RESISTOR	10kΩ,1/16W	R2912	NRSA6AJ-153W	MG RESISTOR	15kΩ,1/16W
R2603		NRSA6AJ-102W	MG RESISTOR	1kΩ,1/16W	R2913	NRSA6AJ-183W	MG RESISTOR	18kΩ,1/16W
R2604		NRSA6AJ-102W	MG RESISTOR	1kΩ,1/16W	R2917	NRSA6AJ-153W	MG RESISTOR	15kΩ,1/16W
R2605		NRSA6AJ-103W	MG RESISTOR	10kΩ,1/16W	R2918	NRSA6AJ-153W	MG RESISTOR	15kΩ,1/16W
R2606		NRSA6AJ-103W	MG RESISTOR	10kΩ,1/16W	R2919	NRSA6AJ-105W	MG RESISTOR	1MΩ,1/16W
R2607		NRSA6AJ-102W	MG RESISTOR	1kΩ,1/16W	R2920	NRSA6AJ-105W	MG RESISTOR	1MΩ,1/16W
R2608		NRSA6AJ-102W	MG RESISTOR	1kΩ,1/16W	C1101	NCBA1AK-104W	CAPACITOR	0.1μF,10V
R2609		NRSA6AJ-103W	MG RESISTOR	10kΩ,1/16W	C1102	NCBA1CK-223W	CAPACITOR	0.022μF,16V
R2610		NRSA6AJ-103W	MG RESISTOR	10kΩ,1/16W	C1103	NCBA1CK-223W	CAPACITOR	0.022μF,16V
R2611		NRSA6AJ-182W	MG RESISTOR	1.8kΩ,1/16W	C1111	NCB30JK-105X	CAPACITOR	1μF,6.3V
R2612		NRSA6AJ-182W	MG RESISTOR	1.8kΩ,1/16W	C1112	NBE80JM-106X	T CAPACITOR	10μF,6.3V
R2613		NRSA6AJ-331W	MG RESISTOR	330Ω,1/16W	C1113	NBE80JM-106X	T CAPACITOR	10μF,6.3V
R2614		NRSA6AJ-331W	MG RESISTOR	330Ω,1/16W	C1114	NCBA1CK-103W	CAPACITOR	0.01μF,16V
R2615		NRSA6AJ-682W	MG RESISTOR	6.8kΩ,1/16W	C1151	NBE80JM-106X	T CAPACITOR	10μF,6.3V
R2616		NRSA6AJ-682W	MG RESISTOR	6.8kΩ,1/16W	C2201	NCB21AK-105X	CAPACITOR	1μF,10V
R2617		NRSA6AJ-682W	MG RESISTOR	6.8kΩ,1/16W	C2202	NCB21AK-105X	CAPACITOR	1μF,10V
R2618		NRSA6AJ-682W	MG RESISTOR	6.8kΩ,1/16W	C2203	NBE80JM-106X	T CAPACITOR	10μF,6.3V
R2619		NRSA6AJ-222W	MG RESISTOR	2.2kΩ,1/16W	C2204	NCB30JK-105X	CAPACITOR	1μF,6.3V
R2620		NRSA6AJ-222W	MG RESISTOR	2.2kΩ,1/16W	C2205	NCB30JK-105X	CAPACITOR	1μF,6.3V
R2623		NRSA6AJ-223W	MG RESISTOR	22kΩ,1/16W	C2206	NCBA1AK-104W	CAPACITOR	0.1μF,10V
R2624		NRSA6AJ-223W	MG RESISTOR	22kΩ,1/16W	C2207	NCBA1AK-104W	CAPACITOR	0.1μF,10V
R2625		NRSA6AJ-103W	MG RESISTOR	10kΩ,1/16W	C2208	NCBA1AK-333W	CAPACITOR	0.033μF,10V
R2626		NRSA6AJ-103W	MG RESISTOR	10kΩ,1/16W	C2209	NCBA1CK-153W	CAPACITOR	0.015μF,16V
R2627		NRSA6AJ-332W	MG RESISTOR	3.3kΩ,1/16W	C2210	NBE80JM-106X	T CAPACITOR	10μF,6.3V
R2628		NRSA6AJ-332W	MG RESISTOR	3.3kΩ,1/16W	C2211	NCB21AK-105X	CAPACITOR	1μF,10V
R2629		NRSA6AJ-392W	MG RESISTOR	3.9kΩ,1/16W	C2212	NBE80JM-106X	T CAPACITOR	10μF,6.3V
R2630		NRSA6AJ-392W	MG RESISTOR	3.9kΩ,1/16W	C2213	NBE80JM-106X	T CAPACITOR	10μF,6.3V
R2631		NRSA6AJ-472W	MG RESISTOR	4.7kΩ,1/16W	C2214	NRSA6AJ-103W	MG RESISTOR	10kΩ,1/16W
R2632		NRSA6AJ-472W	MG RESISTOR	4.7kΩ,1/16W	C2220	NCBA1AK-104W	CAPACITOR	0.1μF,10V
R2633		NRSA6AJ-222W	MG RESISTOR	2.2kΩ,1/16W	C2221	NCBA1AK-104W	CAPACITOR	0.1μF,10V
R2634		NRSA6AJ-222W	MG RESISTOR	2.2kΩ,1/16W	C2230	NCBA1CK-103W	CAPACITOR	0.01μF,16V
R2635		NRSA6AJ-153W	MG RESISTOR	15kΩ,1/16W	C2231	NCBA1CK-103W	CAPACITOR	0.01μF,16V
R2636		NRSA6AJ-153W	MG RESISTOR	15kΩ,1/16W	C2232	NCBA1CK-103W	CAPACITOR	0.01μF,16V
R2637		NRSA6AJ-104W	MG RESISTOR	100kΩ,1/16W	C2233	NCBA1CK-103W	CAPACITOR	0.01μF,16V
R2638		NRSA6AJ-104W	MG RESISTOR	100kΩ,1/16W	C2234	NCBA1CK-103W	CAPACITOR	0.01μF,16V
R2639		NRSA6AJ-473W	MG RESISTOR	47kΩ,1/16W	C2235	NCBA1CK-103W	CAPACITOR	0.01μF,16V
R2640		NRSA6AJ-473W	MG RESISTOR	47kΩ,1/16W	C2601	NCBA1HK-102W	CAPACITOR	0.001μF,50V
R2641		NRSA6AJ-104W	MG RESISTOR	100kΩ,1/16W	C2602	NCBA1HK-102W	CAPACITOR	0.001μF,50V
R2645		NRSA6AJ-0R0W	MG RESISTOR	0Ω,1/16W	C2607	NCBA1HK-102W	CAPACITOR	0.001μF,50V
R2646		NRSA6AJ-0R0W	MG RESISTOR	0Ω,1/16W	C2608	NCBA1HK-102W	CAPACITOR	0.001μF,50V
R2649		NRSA6AJ-0R0W	MG RESISTOR	0Ω,1/16W	C2611	NCBA1AK-104W	CAPACITOR	0.1μF,10V
R2650		NRSA63J-0R0X	MG RESISTOR	0Ω,1/16W	C2612	NCBA1AK-104W	CAPACITOR	0.1μF,10V
R2651		NRSA63J-0R0X	MG RESISTOR	0Ω,1/16W	C2615	NCBA1CK-103W	CAPACITOR	0.01μF,16V
R2652		NRSA63J-0R0X	MG RESISTOR	0Ω,1/16W	C2616	NCBA1CK-103W	CAPACITOR	0.01μF,16V
R2701		NRSA6AJ-102W	MG RESISTOR	1kΩ,1/16W	C2617	NCBA1AK-473W	CAPACITOR	0.047μF,10V
R2702		NRSA6AJ-102W	MG RESISTOR	1kΩ,1/16W	C2618	NCBA1AK-473W	CAPACITOR	0.047μF,10V
R2705		NRSA6AJ-223W	MG RESISTOR	22kΩ,1/16W	C2619	NCBA1HK-102W	CAPACITOR	0.001μF,50V
R2706		NRSA6AJ-223W	MG RESISTOR	22kΩ,1/16W	C2620	NCBA1HK-102W	CAPACITOR	0.001μF,50V
R2707		NRSA6AJ-273W	MG RESISTOR	27kΩ,1/16W	C2621	NCBA1AK-473W	CAPACITOR	0.047μF,10V
R2708		NRSA6AJ-273W	MG RESISTOR	27kΩ,1/16W	C2622	NCBA1AK-473W	CAPACITOR	0.047μF,10V
R2709		NRSA6AJ-151W	MG RESISTOR	150Ω,1/16W	C2625	NBP21DM-475X	T CAPACITOR	4.7μF,20V
R2710		NRSA6AJ-151W	MG RESISTOR	150Ω,1/16W	C2626	NBP21DM-475X	T CAPACITOR	4.7μF,20V
R2713		NRSA6AJ-682W	MG RESISTOR	6.8kΩ,1/16W	C2627	NCBA1AK-473W	CAPACITOR	0.047μF,10V
R2714		NRSA6AJ-682W	MG RESISTOR	6.8kΩ,1/16W	C2628	NCBA1AK-473W	CAPACITOR	0.047μF,10V
R2901		NRSA6AJ-0R0W	MG RESISTOR	0Ω,1/16W	C2629	NCBA1CK-223W	CAPACITOR	0.022μF,16V
R2903		NRSA6AJ-103W	MG RESISTOR	10kΩ,1/16W	C2630	NCBA1CK-223W	CAPACITOR	0.022μF,16V
R2905		NRSA6AJ-102W	MG RESISTOR	1kΩ,1/16W	C2631	NCBA1AK-104W	CAPACITOR	0.1μF,10V
R2906		NRSA6AJ-103W	MG RESISTOR	10kΩ,1/16W	C2632	NCBA1AK-104W	CAPACITOR	0.1μF,10V
R2907		NRSA6AJ-473W	MG RESISTOR	47kΩ,1/16W	C2633	NCBA1HK-182W	CAPACITOR	0.0018μF,50V
R2908		NRSA6AJ-473W	MG RESISTOR	47kΩ,1/16W	C2634	NCBA1HK-182W	CAPACITOR	0.0018μF,50V

#	△ REF No.	PART No.	PART NAME, DESCRIPTION
C2635		NCB30JK-105X	CAPACITOR 1μF,6.3V
C2636		NCB30JK-105X	CAPACITOR 1μF,6.3V
C2637		NCBA1CK-223W	CAPACITOR 0.022μF,16V
C2638		NCBA1CK-223W	CAPACITOR 0.022μF,16V
C2639		NCBA1EK-472W	CAPACITOR 0.0047μF,25V
C2640		NCBA1EK-472W	CAPACITOR 0.0047μF,25V
C2641		NCBA1EK-472W	CAPACITOR 0.0047μF,25V
C2642		NCBA1EK-472W	CAPACITOR 0.0047μF,25V
C2643		NCB30JK-105X	CAPACITOR 1μF,6.3V
C2644		NCB30JK-105X	CAPACITOR 1μF,6.3V
C2646		NCB21AK-105X	CAPACITOR 1μF,10V
C2647		NBE80JM-106X	T CAPACITOR 10μF,6.3V
C2701		NCB21AK-105X	CAPACITOR 1μF,10V
C2702		NCB21AK-105X	CAPACITOR 1μF,10V
C2707		NCBA1AK-104W	CAPACITOR 0.1μF,10V
C2708		NCBA1AK-104W	CAPACITOR 0.1μF,10V
C2709		NBE20GM-226X	T CAPACITOR 22μF,4.0V
C2710		NBE20GM-226X	T CAPACITOR 22μF,4.0V
C2901		NCBA1CK-103W	CAPACITOR 0.01μF,16V
C2904		NCBA1CK-103W	CAPACITOR 0.01μF,16V
C2907		NCB30JK-105X	CAPACITOR 1μF,6.3V
L1101		NQL402M-100X	COIL 10μH
L1151		NQR0265-001X	FERRITE BEAD
L2201		NQL315K-100X	COIL 10μH
L2601		NQR0251-004X	FERRITE BEAD
L2602		NQR0251-004X	FERRITE BEAD
L2603		NQR0251-004X	FERRITE BEAD
L2604		NRSA63J-0R0X	MG RESISTOR 0Ω,1/16W
L2907		NRSA63J-0R0X	MG RESISTOR 0Ω,1/16W
L2908		NRSA63J-0R0X	MG RESISTOR 0Ω,1/16W
L2909		NRSA63J-0R0X	MG RESISTOR 0Ω,1/16W
L2910		NRSA63J-0R0X	MG RESISTOR 0Ω,1/16W
L2911		NRSA63J-0R0X	MG RESISTOR 0Ω,1/16W
J201		QNS0168-001	3.5 JACK,EXT MIC
CN201		QGB0402K1-80X	CONNECTOR
CN202		QGF0517F1-16X	FPC CONNECTOR
CN203		QGF0505F2-08X	FPC CONNECTOR
CN204		QGA1002F1-03X	CONNECTOR
CN205		QGF0517F1-10X	FPC CONNECTOR

#	△ REF No.	PART No.	PART NAME, DESCRIPTION
Q6113		HN1A01FU/G/-X	PAIR TRANSISTOR
		or PUMT1	PAIR TRANSISTOR
Q6114		2SC4617/QR/-X	TRANSISTOR
		or 2SC4738/YG/-X	TRANSISTOR
D6101		EP10LA03	SB DIODE
D6102		EP10LA03	SB DIODE
D6103		EP10LA03	SB DIODE
D6104		EP10LA03	SB DIODE
D6105		EP10LA03	SB DIODE
D6106		1SS383	SB DIODE
D6107		MA8091/L/-X	ZENER DIODE
D6108		1SS383	SB DIODE
R6101		NRSA6AJ-224W	MG RESISTOR 220kΩ,1/16W
R6102		NRSA6AJ-184W	MG RESISTOR 180kΩ,1/16W
R6104		NRVA6AD-472W	CMF RESISTOR 4.7kΩ,1/16W
R6105		NRVA6AD-113W	CMF RESISTOR 11kΩ,1/16W
R6106		NRSA6AJ-223W	MG RESISTOR 22kΩ,1/16W
R6107		NRSA6AJ-223W	MG RESISTOR 22kΩ,1/16W
R6108		NRSA6AJ-104W	MG RESISTOR 100kΩ,1/16W
R6109		NRSA63J-0R0X	MG RESISTOR 0Ω,1/16W
R6110		NRSA63J-0R0X	MG RESISTOR 0Ω,1/16W
R6111		NRSA6AJ-4R7W	MG RESISTOR 4.7Ω,1/16W
R6113		NRVA6AD-223W	CMF RESISTOR 22kΩ,1/16W
R6114		NRVA6AD-113W	CMF RESISTOR 11kΩ,1/16W
R6116		NRSA6AJ-4R7W	MG RESISTOR 4.7Ω,1/16W
R6118		NRVA6AD-333W	CMF RESISTOR 33kΩ,1/16W
R6119		NRVA6AD-473W	CMF RESISTOR 47kΩ,1/16W
R6120		NRSA6AJ-473W	MG RESISTOR 47kΩ,1/16W
R6121		NRSA6AJ-4R7W	MG RESISTOR 4.7Ω,1/16W
R6122		NRVA6AD-243W	CMF RESISTOR 24kΩ,1/16W
R6123		NRVA6AD-302W	CMF RESISTOR 3kΩ,1/16W
R6124		NRVA6AD-104W	CMF RESISTOR 100kΩ,1/16W
R6125		NRVA6AD-123W	CMF RESISTOR 12kΩ,1/16W
R6126		NRVA6AD-103W	CMF RESISTOR 10kΩ,1/16W
R6127		NRSA6AJ-4R7W	MG RESISTOR 4.7Ω,1/16W
R6128		NRVA6AD-473W	CMF RESISTOR 47kΩ,1/16W
R6129		NRVA6AD-562W	CMF RESISTOR 5.6kΩ,1/16W
R6130		NRSA6AJ-0R0W	MG RESISTOR 0Ω,1/16W
R6131		NRVA6AD-223W	CMF RESISTOR 22kΩ,1/16W
R6132		NRVA6AD-473W	CMF RESISTOR 47kΩ,1/16W
R6133		NRSA6AJ-4R7W	MG RESISTOR 4.7Ω,1/16W
R6134		NRVA6AD-273W	CMF RESISTOR 27kΩ,1/16W
R6135		NRVA6AD-472W	CMF RESISTOR 4.7kΩ,1/16W
R6136		NRVA6AD-473W	CMF RESISTOR 47kΩ,1/16W
R6137		NRSA6AJ-473W	MG RESISTOR 47kΩ,1/16W
R6138		NRSA6AJ-4R7W	MG RESISTOR 4.7Ω,1/16W
R6139		NRVA6AD-272W	CMF RESISTOR 2.7kΩ,1/16W
R6140		NRVA6AD-623W	CMF RESISTOR 62kΩ,1/16W
R6141		NRVA6AD-392W	CMF RESISTOR 3.9kΩ,1/16W
R6142		NRSA6AJ-105W	MG RESISTOR 1MΩ,1/16W
R6143		NRSA6AJ-473W	MG RESISTOR 47kΩ,1/16W
R6144		NRSA6AJ-273W	MG RESISTOR 27kΩ,1/16W
R6145		NRSA6AJ-822W	MG RESISTOR 8.2kΩ,1/16W
R6146		NRVA6AD-513W	CMF RESISTOR 51kΩ,1/16W
R6147		NRSA6AD-823W	MG RESISTOR 82kΩ,1/16W
R6148		NRVA6AD-473W	CMF RESISTOR 47kΩ,1/16W
R6149		NRSA6AJ-222W	MG RESISTOR 2.2kΩ,1/16W
R6151		NRSA6AJ-104W	MG RESISTOR 100kΩ,1/16W
R6152		NRSA6AJ-823W	MG RESISTOR 82kΩ,1/16W
R6153		NRVA6AD-623W	CMF RESISTOR 62kΩ,1/16W
R6155		NRVA6AD-683W	CMF RESISTOR 68kΩ,1/16W
R6156		NRSA6AJ-333W	MG RESISTOR 33kΩ,1/16W
R6157		NRSA6AJ-333W	MG RESISTOR 33kΩ,1/16W

REG BOARD ASSEMBLY <05>

PW2	YB10304A2-02	REG BOARD ASSY
IC6101	FA3676F	IC
Q6101	NDS352AP	MOS FET
Q6103	NDS352AP	MOS FET
Q6105	NDS352AP	MOS FET
Q6106	NDS352AP	MOS FET
Q6107	NDS352AP	MOS FET
Q6108	NDS352AP	MOS FET
Q6109	HN1C01FU/G/-X	PAIR TRANSISTOR
	or PUMX1	PAIR TRANSISTOR
Q6110	2SA1577/QR/-X	TRANSISTOR
Q6111	2SC4617/QR/-X	TRANSISTOR
	or 2SC4738/YG/-X	TRANSISTOR
Q6112	DTC144EE	TRANSISTOR
	or PDTC144EE	TRANSISTOR
	or UN9213J	TRANSISTOR
	or RN1104	TRANSISTOR

#	△ REF No.	PART No.	PART NAME, DESCRIPTION	
R6158		NRSA6AJ-102W	MG RESISTOR	1kΩ,1/16W
R6159		NRSA6AJ-0R0W	MG RESISTOR	0Ω,1/16W
R6160		NRSA63J-0R0X	MG RESISTOR	0Ω,1/16W
C6101		NCB21CK-105X	CAPACITOR	1μF,16V
C6102		NCB21CK-105X	CAPACITOR	1μF,16V
C6103		NBPE1CM-106X	T CAPACITOR	10μF,16V
C6104		NCBA1AK-104W	CAPACITOR	0.1μF,10V
C6105		NCF31AZ-105X	CAPACITOR	1μF,10V
C6106		NCBA1CK-103W	CAPACITOR	0.01μF,16V
C6107		NCB21CK-105X	CAPACITOR	1μF,16V
C6108		NCF31AZ-105X	CAPACITOR	1μF,10V
C6109		NCBA1EK-472W	CAPACITOR	0.0047μF,25V
C6110		NCBA1CK-223W	CAPACITOR	0.022μF,16V
C6111		NCBA1AK-104W	CAPACITOR	0.1μF,10V
C6112		NCBA1HK-272W	CAPACITOR	0.0027μF,50V
C6113		NCBA1AK-104W	CAPACITOR	0.1μF,10V
C6114		NCBA1HK-561W	CAPACITOR	560pF,50V
C6115		NCBA1HK-561W	CAPACITOR	560pF,50V
C6117		NCBA1CK-103W	CAPACITOR	0.01μF,16V
C6118		NDCA1HJ-101W	CAPACITOR	100pF,50V
C6119		NBE80JM-106X	T CAPACITOR	10μF,6.3V
C6120		NCF31AZ-105X	CAPACITOR	1μF,10V
C6121		NCB21CK-105X	CAPACITOR	1μF,16V
C6122		NCB10JK-106X	CAPACITOR	10μF,6.3V
C6123		NCBA1HK-102W	CAPACITOR	0.001μF,50V
C6127		NCB21CK-105X	CAPACITOR	1μF,16V
C6128		NCB10JK-106X	CAPACITOR	10μF,6.3V
C6129		NCBA1EK-472W	CAPACITOR	0.0047μF,25V
C6130		NCB21CK-105X	CAPACITOR	1μF,16V
C6131		NCB21CK-105X	CAPACITOR	1μF,16V
C6133		NCB31CK-683X	CAPACITOR	0.068μF,16V
C6134		NCB21CK-105X	CAPACITOR	1μF,16V
C6135		NCB21CK-105X	CAPACITOR	1μF,16V
C6137		NCB31AK-224X	CAPACITOR	0.22μF,10V
C6138		NCB21CK-105X	CAPACITOR	1μF,16V
C6139		NCB10JK-106X	CAPACITOR	10μF,6.3V
C6140		NCBA1HK-102W	CAPACITOR	0.001μF,50V
C6141		NCB21CK-105X	CAPACITOR	1μF,16V
C6142		NCB21CK-105X	CAPACITOR	1μF,16V
C6143		NCB21CK-105X	CAPACITOR	1μF,16V
C6144		NCB11EK-105X	CAPACITOR	1μF,25V
C6145		NCBA1HK-102W	CAPACITOR	0.001μF,50V
C6146		NCBA1CK-103W	CAPACITOR	0.01μF,16V
C6147		NCB21CK-105X	CAPACITOR	1μF,16V
C6148		NCB21CK-105X	CAPACITOR	1μF,16V
C6149		NCB21CK-105X	CAPACITOR	1μF,16V
C6150		NCB11EK-105X	CAPACITOR	1μF,25V
C6151		NCB21CK-105X	CAPACITOR	1μF,16V
C6152		NCB21CK-105X	CAPACITOR	1μF,16V
L6101		NQLZ011-4R7X	COIL	4.7μH
L6102		NQLZ011-4R7X	COIL	4.7μH
L6103		NQLZ007-390X	COIL	39μH
L6107		NQLZ011-390X	COIL	39μH
L6108		NQLZ011-470X	COIL	47μH
L6109		NQLZ011-470X	COIL	47μH
L6110		NQLZ011-390X	COIL	39μH
L6111		NQL144K-220X	COIL	22μH
L6112		NQLZ011-221X	COIL	220μH
CN601		QGB0507M1-80X	CONNECTOR	
CN602		QGF0505F2-12X	FPC CONNECTOR	
△ F6101		NMFZ007-2R0X-K	FUSE	T2.0A,32V
△ F6102		NMFZ007-2R0X-K	FUSE	T2.0A,32V
△ F6103		NMFZ007-R50X-K	FUSE	T0.5A,50V

#	△ REF No.	PART No.	PART NAME, DESCRIPTION	

MONITOR BOARD ASSEMBLY <06>				
PW		YB10306B-01	MONITOR BOARD ASSY	
IC7301		CXA3268AR-B	IC	
IC7302		AT25040N-10SC-X	IC	
		or 25LC040-I/SN-X	IC	
IC7401		CXA3503R-B	IC	
IC7501		TL1451CPW	IC	
IC7502		TC7SH04FU	IC(DIGITAL)	
		or SN74AHC1G04K	IC	
Q7301		2SA1774/QR/-X	TRANSISTOR	
Q7302		2SA1577/QR/-X	TRANSISTOR	
Q7303		DTC144EE	TRANSISTOR	
		or UN9213J	TRANSISTOR	
		or RN1104	TRANSISTOR	
Q7304		2SC4617/QR/-X	TRANSISTOR	
		or 2SC4738/YG/-X	TRANSISTOR	
Q7305		2SA1774/QR/-X	TRANSISTOR	
		or 2SA1832/YG/-X	TRANSISTOR	
Q7306		2SC4617/QR/-X	TRANSISTOR	
		or 2SC4738/YG/-X	TRANSISTOR	
Q7307		2SA1774/QR/-X	TRANSISTOR	
		or 2SA1832/YG/-X	TRANSISTOR	
Q7401		2SA1774/QR/-X	TRANSISTOR	
		or 2SA1832/YG/-X	TRANSISTOR	
Q7501		UMD3N	TRANSISTOR	
Q7502		SSM3K01F	MOS FET	
Q7503		2SC4617/QR/-X	TRANSISTOR	
Q7504		XP6401	TRANSISTOR	
D7301		MA365	VARI CAP DIODE	
D7302		UDZ2.7B	ZENER DIODE	
D7303		UDZ4.3B	ZENER DIODE	
D7401		MA365	VARI CAP DIODE	
D7501		MA142WK	DIODE	
R7301		NRSA63J-271X	MG RESISTOR	270Ω,1/16W
R7302		NRSA63J-102X	MG RESISTOR	1kΩ,1/16W
R7303		NRVA63D-333X	CMF RESISTOR	33kΩ,1/16W
R7304		NRVA63D-153X	CMF RESISTOR	15kΩ,1/16W
R7305		NRSA63J-100X	MG RESISTOR	10Ω,1/16W
R7306		NRSA63J-100X	MG RESISTOR	10Ω,1/16W
R7307		NRSA63J-100X	MG RESISTOR	10Ω,1/16W
R7314		NRSA63J-0R0X	MG RESISTOR	0Ω,1/16W
R7315		NRSA63J-0R0X	MG RESISTOR	0Ω,1/16W
R7316		NRSA63J-472X	MG RESISTOR	4.7kΩ,1/16W
R7320		NRSA63J-473X	MG RESISTOR	47kΩ,1/16W
R7321		NVP0016-473X	TRIM RESISTOR,PLL(MONI)	
R7322		NRSA63J-0R0X	MG RESISTOR	0Ω,1/16W
R7323		NRSA63J-333X	MG RESISTOR	33kΩ,1/16W
R7324		NRSA63J-103X	MG RESISTOR	10kΩ,1/16W
R7325		NRSA63J-102X	MG RESISTOR	1kΩ,1/16W
R7326		NRSA63J-103X	MG RESISTOR	10kΩ,1/16W
R7330		NRSA63J-103X	MG RESISTOR	10kΩ,1/16W
R7331		NRSA63J-472X	MG RESISTOR	4.7kΩ,1/16W
R7332		NRSA63J-100X	MG RESISTOR	10Ω,1/16W
R7333		NRSA63J-223X	MG RESISTOR	22kΩ,1/16W
R7334		NRSA63J-223X	MG RESISTOR	22kΩ,1/16W
R7335		NRSA63J-103X	MG RESISTOR	10kΩ,1/16W
R7336		NRSA63J-473X	MG RESISTOR	47kΩ,1/16W
R7401		NRSA63J-271X	MG RESISTOR	270Ω,1/16W
R7402		NRSA63J-102X	MG RESISTOR	1kΩ,1/16W
R7403		NRVA63D-333X	CMF RESISTOR	33kΩ,1/16W

#	△ REF No.	PART No.	PART NAME, DESCRIPTION	#	△ REF No.	PART No.	PART NAME, DESCRIPTION
R7404		NRVA63D-153X	CMF RESISTOR 15kΩ,1/16W	C7323		NCB31HK-682X	CAPACITOR 0.0068μF,50V
R7405		NRSA63J-100X	MG RESISTOR 10Ω,1/16W	C7324		NCB11AK-335X	CAPACITOR 3.3μF,10V
R7406		NRSA63J-100X	MG RESISTOR 10Ω,1/16W	C7330		NCB21CK-105X	CAPACITOR 1μF,16V
R7407		NRSA63J-100X	MG RESISTOR 10Ω,1/16W	C7331		NCB10JK-106X	CAPACITOR 10μF,6.3V
R7414		NRSA63J-0R0X	MG RESISTOR 0Ω,1/16W	C7332		NCB21CK-105X	CAPACITOR 1μF,16V
R7415		NRSA63J-0R0X	MG RESISTOR 0Ω,1/16W	C7333		NCB21CK-105X	CAPACITOR 1μF,16V
R7416		NRSA63J-472X	MG RESISTOR 4.7kΩ,1/16W	C7335		NCB31CK-104X	CAPACITOR 0.1μF,16V
R7417		NRVA63D-562X	CMF RESISTOR 5.6kΩ,1/16W	C7336		NCB21CK-105X	CAPACITOR 1μF,16V
R7418		NRVA63D-562X	CMF RESISTOR 5.6kΩ,1/16W	C7337		NCB21CK-105X	CAPACITOR 1μF,16V
R7420		NRSA63J-393X	MG RESISTOR 39kΩ,1/16W	C7338		NCB31EK-103X	CAPACITOR 0.01μF,25V
R7421		NVP0016-473X	TRIM RESISTOR,PLL(VF)	C7401		NCB21CK-105X	CAPACITOR 1μF,16V
R7422		NRSA63J-752X	MG RESISTOR 7.5kΩ,1/16W	C7402		NCB31CK-104X	CAPACITOR 0.1μF,16V
R7423		NRSA63J-333X	MG RESISTOR 33kΩ,1/16W	C7403		NBE20JM-226X	T CAPACITOR 22μF,6.3V
R7424		NRSA63J-103X	MG RESISTOR 10kΩ,1/16W	C7404		NCB31EK-103X	CAPACITOR 0.01μF,25V
R7425		NRSA63J-102X	MG RESISTOR 1kΩ,1/16W	C7405		NCB21CK-105X	CAPACITOR 1μF,16V
R7426		NRSA63J-103X	MG RESISTOR 10kΩ,1/16W	C7406		NCB21CK-105X	CAPACITOR 1μF,16V
R7501		NRVA63D-103X	CMF RESISTOR 10kΩ,1/16W	C7407		NCB21CK-105X	CAPACITOR 1μF,16V
R7502		NRVA63D-123X	CMF RESISTOR 12kΩ,1/16W	C7408		NBP41CM-106X	T CAPACITOR 10μF,16V
R7503		NRVA63D-334X	CMF RESISTOR 330kΩ,1/16W	C7410		NCB31CK-104X	CAPACITOR 0.1μF,16V
R7504		NRSA63J-394X	MG RESISTOR 390kΩ,1/16W	C7411		NBP41CM-106X	T CAPACITOR 10μF,16V
R7505		NRSA63J-562X	MG RESISTOR 5.6kΩ,1/16W	C7412		NCB31CK-104X	CAPACITOR 0.1μF,16V
R7506		NRSA63J-183X	MG RESISTOR 18kΩ,1/16W	C7413		NCB31CK-104X	CAPACITOR 0.1μF,16V
R7507		NRSA63J-472X	MG RESISTOR 4.7kΩ,1/16W	C7414		NBE20JM-226X	T CAPACITOR 22μF,6.3V
R7508		NRS181J-335X	MG RESISTOR 3.3MΩ,1/8W	C7415		NCB31CK-104X	CAPACITOR 0.1μF,16V
R7509		NRS181J-335X	MG RESISTOR 3.3MΩ,1/8W	C7416		NCB21CK-105X	CAPACITOR 1μF,16V
R7510		NRSA63J-223X	MG RESISTOR 22kΩ,1/16W	C7417		NCB31CK-104X	CAPACITOR 0.1μF,16V
R7511		NRSA63J-751X	MG RESISTOR 750Ω,1/16W	C7418		NCB31CK-104X	CAPACITOR 0.1μF,16V
R7512		NRSA63J-822X	MG RESISTOR 8.2kΩ,1/16W	C7419		NCB31CK-104X	CAPACITOR 0.1μF,16V
R7513		NRSA63J-273X	MG RESISTOR 27kΩ,1/16W	C7420		NDC31HJ-300X	CAPACITOR 30pF,50V
R7514		NRSA63J-124X	MG RESISTOR 120kΩ,1/16W	C7421		NDC31HJ-221X	CAPACITOR 220pF,50V
R7515		NRSA63J-151X	MG RESISTOR 150Ω,1/16W	C7422		NCB31EK-103X	CAPACITOR 0.01μF,25V
R7516		NRSA63J-151X	MG RESISTOR 150Ω,1/16W	C7423		NCB31HK-682X	CAPACITOR 0.0068μF,50V
R7517		NRSA63J-122X	MG RESISTOR 1.2kΩ,1/16W	C7424		NCB11AK-335X	CAPACITOR 3.3μF,10V
R7518		NRSA63J-332X	MG RESISTOR 3.3kΩ,1/16W	C7425		NCB31EK-103X	CAPACITOR 0.01μF,25V
R7519		NRSA63J-163X	MG RESISTOR 16kΩ,1/16W	C7501		NCB31CK-104X	CAPACITOR 0.1μF,16V
R7520		NRSA63J-393X	MG RESISTOR 39kΩ,1/16W	C7502		NCB10JK-106X	CAPACITOR 10μF,6.3V
R7521		NRVA63D-153X	CMF RESISTOR 15kΩ,1/16W	C7503		NCB11AK-335X	CAPACITOR 3.3μF,10V
R7523		NRVA63D-184X	CMF RESISTOR 180kΩ,1/16W	C7504		NBP41CM-106X	T CAPACITOR 10μF,16V
R7524		NRVA63D-114X	CMF RESISTOR 110kΩ,1/16W	C7505		NCB31EK-103X	CAPACITOR 0.01μF,25V
R7525		NRSA63J-333X	MG RESISTOR 33kΩ,1/16W	C7506		NBE90JM-685X	T CAPACITOR 6.8μF,6.3V
R7526		NRSA63J-221X	MG RESISTOR 220Ω,1/16W	C7507		NDC31HJ-331X	CAPACITOR 330pF,50V
C7301		NCB21CK-105X	CAPACITOR 1μF,16V	C7508		NCB31CK-104X	CAPACITOR 0.1μF,16V
C7302		NCB31CK-104X	CAPACITOR 0.1μF,16V	C7509		NBP21CM-685X	T CAPACITOR 6.8μF,16V
C7303		NBE20JM-226X	T CAPACITOR 22μF,6.3V	L7301		NQL085J-3R3X	COIL 3.3μH
C7304		NCB31EK-103X	CAPACITOR 0.01μF,25V	L7302		NQL315K-100X	COIL 10μH
C7305		NCB21CK-105X	CAPACITOR 1μF,16V	L7303		NQL315K-100X	COIL 10μH
C7306		NCB21CK-105X	CAPACITOR 1μF,16V	L7304		NQL315K-100X	COIL 10μH
C7307		NCB21CK-105X	CAPACITOR 1μF,16V	L7401		NQL085J-100X	COIL 10μH
C7308		NBP41CM-106X	T CAPACITOR 10μF,16V	L7402		NQL315K-100X	COIL 10μH
C7309		NCB21CK-105X	CAPACITOR 1μF,16V	L7501		NQL144K-220X	COIL 22μH
C7310		NCB31CK-104X	CAPACITOR 0.1μF,16V	T7501		NQS0052-001X	SW TRANSF
C7311		NBP41CM-106X	T CAPACITOR 10μF,16V	T7502		NAX0334-001	PIEZOELE TRANSF
C7312		NCB31CK-104X	CAPACITOR 0.1μF,16V	CN7501		QGF0304F1-39X	FFC/FPC CONNECTOR
C7313		NCB31CK-104X	CAPACITOR 0.1μF,16V	CN7502		QGF0517F1-24X	FPC CONNECTOR
C7314		NBE20JM-226X	T CAPACITOR 22μF,6.3V	△ F7501		NMFZ009-R50X-J1	FUSE T0.5A,32V
C7315		NCB31CK-104X	CAPACITOR 0.1μF,16V				
C7316		NCB21CK-105X	CAPACITOR 1μF,16V				
C7317		NCB31CK-104X	CAPACITOR 0.1μF,16V				
C7318		NCB31CK-104X	CAPACITOR 0.1μF,16V				
C7319		NCB31CK-104X	CAPACITOR 0.1μF,16V				
C7320		NDC31HJ-300X	CAPACITOR 30pF,50V				
C7321		NCB31HK-102X	CAPACITOR 0.001μF,50V				
C7322		NCB31EK-103X	CAPACITOR 0.01μF,25V				

Δ REF No. PART No. PART NAME, DESCRIPTION

JACK BOARD ASSEMBLY <07>

PW1	YB10305A1-04	JACK BOARD ASSY	
IC2822	TC7S04FU	IC(DIGITAL)	
Q2801	DTC144EE	TRANSISTOR	
	or UN9213J	TRANSISTOR	
	or RN1104	TRANSISTOR	
Q2821	2SC4617/QR/-X	TRANSISTOR	
D2821	EMZ6.8N	ZENER DIODE	
D2822	EMZ6.8N	ZENER DIODE	
D2823	EMZ6.8N	ZENER DIODE	
D2825	RB715F	SB DIODE	
R2801	NRSA63J-0R0X	MG RESISTOR	0 Ω ,1/16W
R2802	NRSA63J-0R0X	MG RESISTOR	0 Ω ,1/16W
R2803	NRSA63J-0R0X	MG RESISTOR	0 Ω ,1/16W
R2804	NRSA63J-0R0X	MG RESISTOR	0 Ω ,1/16W
R2805	NRSA63J-0R0X	MG RESISTOR	0 Ω ,1/16W
R2806	NRSA63J-0R0X	MG RESISTOR	0 Ω ,1/16W
R2807	NRSA63J-0R0X	MG RESISTOR	0 Ω ,1/16W
R2808	NRSA63J-0R0X	MG RESISTOR	0 Ω ,1/16W
R2809	NRSA63J-473X	MG RESISTOR	47k Ω ,1/16W
R2810	NRSA63J-103X	MG RESISTOR	10k Ω ,1/16W
R2812	NRSA63J-103X	MG RESISTOR	10k Ω ,1/16W
R2813	NRSA63J-473X	MG RESISTOR	47k Ω ,1/16W
R2814	NRSA63J-104X	MG RESISTOR	100k Ω ,1/16W
R2816	NRSA63J-0R0X	MG RESISTOR	0 Ω ,1/16W
R2818	NRSA63J-473X	MG RESISTOR	47k Ω ,1/16W
R2821	NRSA63J-101X	MG RESISTOR	100 Ω ,1/16W
R2822	NRSA63J-470X	MG RESISTOR	47 Ω ,1/16W
R2823	NRSA63J-101X	MG RESISTOR	100 Ω ,1/16W
R2824	NRSA63J-101X	MG RESISTOR	100 Ω ,1/16W
R2825	NRSA63J-101X	MG RESISTOR	100 Ω ,1/16W
R2826	NRSA63J-101X	MG RESISTOR	100 Ω ,1/16W
R2828	NRSA63J-472X	MG RESISTOR	4.7k Ω ,1/16W
R2829	NRSA63J-103X	MG RESISTOR	10k Ω ,1/16W
R2830	NRSA63J-0R0X	MG RESISTOR	0 Ω ,1/16W
R2831	NRSA63J-0R0X	MG RESISTOR	0 Ω ,1/16W
R2832	NRSA63J-0R0X	MG RESISTOR	0 Ω ,1/16W
R2833	NRSA63J-0R0X	MG RESISTOR	0 Ω ,1/16W
R2841	NRSA63J-0R0X	MG RESISTOR	0 Ω ,1/16W
R2844	NRSA63J-0R0X	MG RESISTOR	0 Ω ,1/16W
R2845	NRSA63J-0R0X	MG RESISTOR	0 Ω ,1/16W
R2848	NRSA63J-0R0X	MG RESISTOR	0 Ω ,1/16W
R2861	NRSA63J-103X	MG RESISTOR	10k Ω ,1/16W
R2862	NRSA63J-391X	MG RESISTOR	390 Ω ,1/16W
R2883	NRSA63J-0R0X	MG RESISTOR	0 Ω ,1/16W
R2885	NRSA63J-0R0X	MG RESISTOR	0 Ω ,1/16W
C2802	NBE80JM-106X	T CAPACITOR	10 μ F,6.3V
C2821	NCB31EK-103X	CAPACITOR	0.01 μ F,25V
C2841	NCB31CK-683X	CAPACITOR	0.068 μ F,16V
C2842	NCB31CK-683X	CAPACITOR	0.068 μ F,16V
C2843	NCB31HK-102X	CAPACITOR	0.001 μ F,50V
C2844	NCB31HK-102X	CAPACITOR	0.001 μ F,50V
C2848	NCB31HK-472X	CAPACITOR	0.0047 μ F,50V
C2849	NCB31HK-472X	CAPACITOR	0.0047 μ F,50V
C2881	NCB31EK-103X	CAPACITOR	0.01 μ F,25V
C2882	NCB31EK-103X	CAPACITOR	0.01 μ F,25V
C2883	NCB31EK-103X	CAPACITOR	0.01 μ F,25V
L2801	NQR0129-002X	FERRITE BEAD	
L2821	NQR0006-001X	FERRITE BEAD	
L2841	NQR0251-004X	FERRITE BEAD	

Δ REF No. PART No. PART NAME, DESCRIPTION

EJECT BOARD ASSEMBLY <08>

L2842	NQR0251-004X	FERRITE BEAD	
L2843	NQR0251-004X	FERRITE BEAD	
L2844	NQR0251-004X	FERRITE BEAD	
L2845	NQR0251-004X	FERRITE BEAD	
J301	NNZ0056-001X	D CONNECTOR,PRINTER	
J302	QNS0012-001	3.5 JACK,HP	
J303	QNS0078-001	3.5 JACK,AV	
Δ BT301	QAB0020-001	LI BATTERY	
CN301	QGF0301F1-45X	FPC CONNECTOR	
CN302	NNZ0042-001X	SD CARD CONNECTOR	
CN303	QGF0501F1-11X	FPC CONNECTOR	
CN304	QGA1201F2-02X	CONNECTOR	

DECK OPE. BOARD ASSEMBLY <09>

PW2	YB10305A2-01	EJECT BOARD ASSY	
R2421	NRSA63J-103X	MG RESISTOR	10k Ω ,1/16W
R2424	NRSA63J-103X	MG RESISTOR	10k Ω ,1/16W
R2425	NRSA63J-103X	MG RESISTOR	10k Ω ,1/16W
S2421	NSW0094-001X	DETECT SWITCH,EJECT SW	
CN2421	QGF0512C1-12X	FPC CONNECTOR	
CN2422	QGF0501F2-13X	FPC CONNECTOR	

△ REF No. PART No. PART NAME, DESCRIPTION

△ REF No. PART No. PART NAME, DESCRIPTION

CCD BOARD ASSEMBLY <10>

PW	YB10307A-01	CCD BOARD ASSY	
Q5201	2SC3935/Q/-X	TRANSISTOR	
R5201	NRSA63J-122X	MG RESISTOR	1.2kΩ,1/16W
C5202	NCF31EZ-104X	CAPACITOR	0.1μF,25V
C5203	NBE41AM-476X	T CAPACITOR	47μF,10V
C5204	NCB31CK-104X	CAPACITOR	0.1μF,16V
C5205	NCB31CK-104X	CAPACITOR	0.1μF,16V
C5206	NBZ0003-475X	T CAPACITOR	4.7μF,20V
C5207	NCF31EZ-104X	CAPACITOR	0.1μF,25V
C5208	NCB31HK-222X	CAPACITOR	0.0022μF,50V
C5209	NCB21EK-104X	CAPACITOR	0.1μF,25V
WR1	WJR0018-001A	E-SH C WIRE C-F,CCD OUT-MAIN CN101	